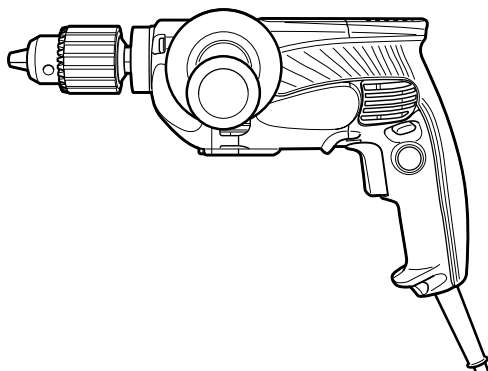


HITACHI

Drill
Bohrmaschine
Δραπάνο
Wiertarka
Fúrógép
Vrtačka
Matkap
Электродрель

D 10VF · D 10VG · D 13VF · D 13VG



D 13VF

Read through carefully and understand these instructions before use.

Diese Anleitung vor Benutzung des Werkzeugs sorgfältig durchlesen und verstehen.

Διαβάστε προσεκτικά και κατανοήστε αυτές τις οδηγίες πριν τη χρήση.

Przed użytkowaniem należy dokładnie przeczytać niniejszą instrukcję i zrozumieć jej treść.

Használat előtt olvassa el figyelmesen a használati utasítást.

Před použitím si pečlivě přečtěte tento návod a ujistěte se, že mu dobře rozumíte.

Aleti kullanmadan önce bu kılavuzu iyice okuyun ve talimatları anlayın.

Внимательно прочтите данную инструкцию по эксплуатации прежде чем пользоваться инструментом.



Handling instructions

Bedienungsanleitung

Οδηγίες χειρισμού

Instrukcja obsługi

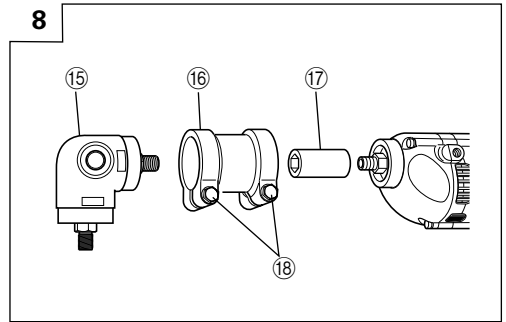
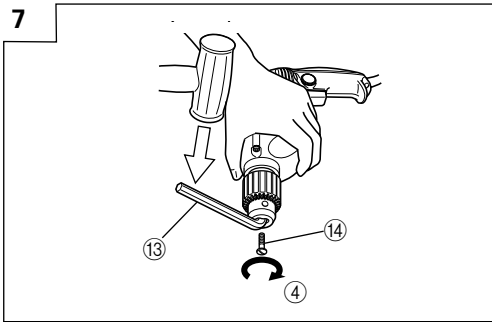
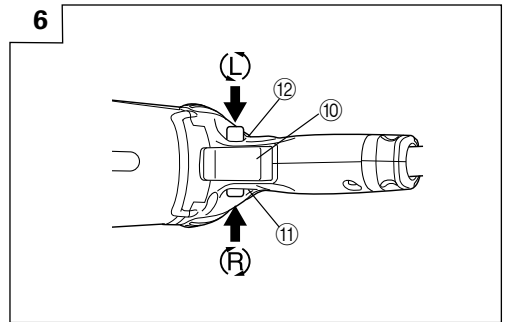
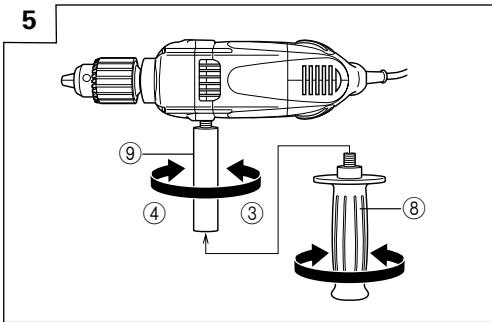
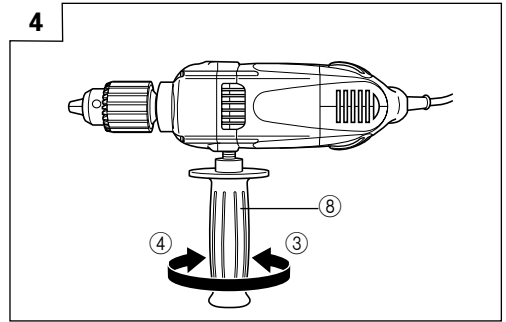
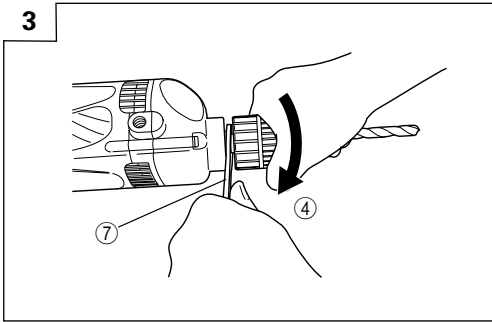
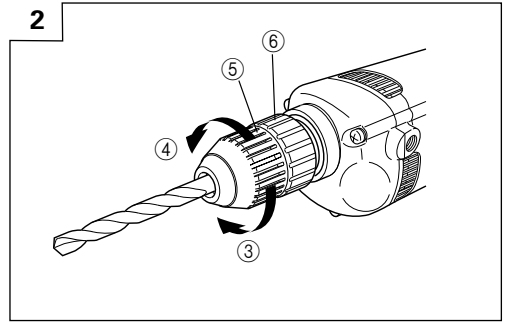
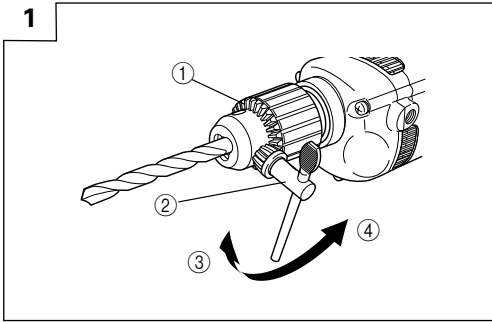
Kezelési utasítás

Návod k obsluze

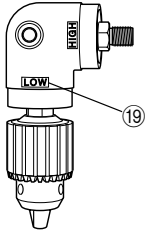
Kullanım talimatları

Инструкция по эксплуатации

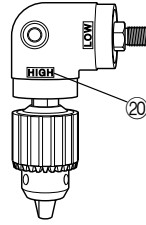
Hitachi Koki



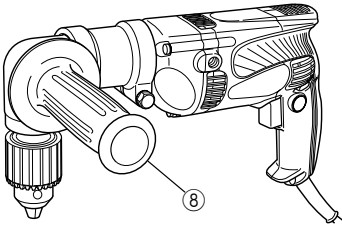
9



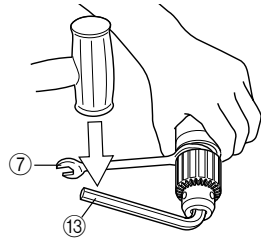
10



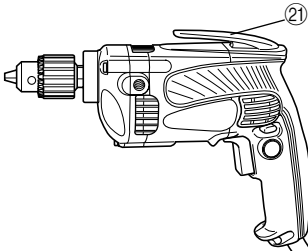
11



12



13



	English	Deutsch	Ελληνικά	Polski
①	Drill chuck	Bohrfutter	Σφικτήρας δραπάνου	Uchwyt wiertarski
②	Chuck wrench	Futterschlüssel	Κλειδί σφικτήρα	Klucz do uchwytu wiertarskiego
③	Tighten	Anziehen	Σφιζίτε	Dokręcanie
④	Loosen	Lösen	Χαλαρώστε	Luzowanie
⑤	Sleeve	Manschette	Συνδετικός δακτύλιος	Tuleja
⑥	Ring	Ring	Δακτύλιος	Pierścień
⑦	Open end wrench	Maulschlüssel	Κλειδί με ένα ελεύθερο άκρο	Klucz do wkrętów z sześciokątnym gniazdkiem
⑧	Side handle	Seitengriff	Πλευρική λαβή	Uchwyt boczny
⑨	Handle joint	Griffanschluß	Ένωση λαβής	Złącze uchwytu
⑩	Switch trigger	Abzugschalter	Σκανδάλη διακόπτης	Spust włącznika
⑪	(R) mark	Markierung (R)	(R) σημάδι	Symbol (R)
⑫	(L) mark	Markierung (L)	(L) σημάδι	Symbol (L)
⑬	Hex. bar wrench	Sechskant-Steckschlüssel	Εξ. ραβδόμορφο κλειδί	Klucz do wkrętów z sześciokątnym gniazdkiem
⑭	Locking screw	Sicherungsschraube	Βίδα κλειδώματος	Śruba zabezpieczająca
⑮	Angle unit	Winkleinheit	Εξάρτημα γωνία	Moduł kątowy
⑯	Joint sleeve	Gelenkstulpe	Ένωση συνδετικού δακτυλίου	Tuleja mocująca
⑰	Coupling	Kupplung	Σύζευξη	Sprzęgło
⑱	Clamping bolt	Anzugsschraube	Μπουλόνι σύζευξης	Sworzeń mocujący
⑲	Low speed	Niedrige Drehzahl	Χαμηλή ταχύτητα	Mała prędkość
⑳	High speed	Hohe Drehzahl	Υψηλή ταχύτητα	Duża prędkość
㉑	Hook (A)	Haken (A)	Γάντζος (A)	Haczyk (A)

	Magyar	Čeština	Türkçe	Русский
①	Fúrótokmány	Skříčidlo vrtačky	Mandren	Зажимной патрон сверла
②	Tokmánykulcs	Klíč pro dotahování skříčidla	Mandren ucu	Патронный гаечный ключ
③	Megszorítani	Dotázení	Sıkıştır	Затянуть
④	Meglazítani	Povolení	Gezset	Ослабить
⑤	Karmantyú	Pouzdro	Segman	Обод
⑥	Gyűrű	Kroužek	Halka	Кольцо
⑦	Villáskulcs	Plochý klíč	Açık uçlu anahtar	Гаечный ключ с открытым зевом
⑧	Oldalfogantyú	Boční rukojeť	Yan kol	Боковая рукоятка
⑨	Fogantyú csatlakozás	Spojka rukojeti	Kol mafsalı	Крепление рукоятки
⑩	Kapcsoló	Spínač	Anahtar	Пускатель переключателя
⑪	(R) - jobbra forgásirány-jelölés	Značka (R)	(R) işaretleri	(R) метка
⑫	(L) - balra forgásirány-jelölés	Značka (L)	(L) işaretleri	(L) метка
⑬	Imbuszkulcs	Šestihranný klíč	Alyan anahtarı	Гаечный ключ в виде шестигранного стержня
⑭	Rögzítő csavar	Pojistný šroub	Kilit vidası	Стопорный винт
⑮	Sarokegység	Úhlová jednotka	Açı ünitesi	Угловой элемент
⑯	Közös karmantyú	Spojovací pouzdro	Mafsal segmanı	Соединительный обод
⑰	Kuplung	Spojka	Bağlantı parçası	Муфта
⑱	Szorítócsavar	Upínací šroub	Sıkıştırma pimi	Стяжной болт
⑲	Alacsony fordulatszám	Nízke otáčky	Düşük hız	Низкая скорость
⑳	Magas fordulatszám	Vysoké otáčky	Yüksek hız	Высокая скорость
㉑	Akaszító (A)	Hák (A)	Askı (A)	Крючок (A)

	<p>Symbols ⚠ WARNING The following show symbols used for the machine. Be sure that you understand their meaning before use.</p>	<p>Symbole ⚠ WARNING Die folgenden Symbole werden für diese Maschine verwendet. Achten Sie darauf, diese vor der Verwendung zu verstehen.</p>	<p>Σύμβολα ⚠ ΠΡΟΣΟΧΗ Τα παρακάτω δείχνουν τα σύμβολα που χρησιμοποιούνται στο μηχάνημα. Βεβαιωθείτε ότι κατανοείτε τη σημασία τους πριν τη χρήση.</p>	<p>Symbole ⚠ OSTRZEŻENIE Następujące oznaczenia to symbole używane w instrukcji obsługi maszyny. Upewnij się, że rozumiesz ich znaczenie zanim użyjesz narzędzia.</p>
	<p>Read all safety warnings and all instructions. Failure to follow the warnings and instructions may result in electric shock, fire and/or serious injury.</p>	<p>Lesen Sie sämtliche Sicherheitshinweise und Anweisungen durch. Wenn die Warnungen und Anweisungen nicht befolgt werden, kann es zu Stromschlag, Brand und/oder ernsthaften Verletzungen kommen.</p>	<p>Διαβάστε όλες τις προειδοποιήσεις ασφαλείας και όλες τις οδηγίες. Η μη τήρηση των προειδοποιήσεων και οδηγιών μπορεί να προκαλέσει ηλεκτροπληξία, πυρκαγιά και/ή σοβαρό τραυματισμό. Μόνο για τις χώρες της ΕΕ Μην πετάτε τα ηλεκτρικά εργαλεία στον κάδο οικιακών απορριμμάτων! Σύμφωνα με την ευρωπαϊκή οδηγία 2002/96/ΕΚ περί ηλεκτρικών και ηλεκτρονικών συσκευών και την ενσωμάτωσή της στο εθνικό δίκαιο, τα ηλεκτρικά εργαλεία πρέπει να συλλέγονται ξεχωριστά και να επιστρέφονται για ανακύκλωση με τρόπο φιλικό προς το περιβάλλον.</p>	<p>Należy dokładnie zapoznać się ze wszystkimi ostrzeżeniami i wskazówkami bezpieczeństwa. Nieprzestrzeganie ostrzeżeń oraz wskazówek bezpieczeństwa może spowodować porażenie prądem elektrycznym, pożar i/lub odniesienie poważnych obrażeń.</p>
	<p>Only for EU countries Do not dispose of electric tools together with household waste material! In observance of European Directive 2002/96/EC on waste electrical and electronic equipment and its implementation in accordance with national law, electric tools that have reached the end of their life must be collected separately and returned to an environmentally compatible recycling facility.</p>	<p>Nur für EU-Länder Werfen Sie Elektrowerkzeuge nicht in den Hausmüll! Gemäss Europäischer Richtlinie 2002/96/EG über Elektro- und Elektronik-Altgeräte und Umsetzung in nationales Recht müssen verbrauchte Elektrowerkzeuge getrennt gesammelt und einer umweltgerechten Wiederverwertung zugeführt werden.</p>	<p>Μόνο για τις χώρες της ΕΕ Μην πετάτε τα ηλεκτρικά εργαλεία στον κάδο οικιακών απορριμμάτων! Σύμφωνα με την ευρωπαϊκή οδηγία 2002/96/ΕΚ περί ηλεκτρικών και ηλεκτρονικών συσκευών και την ενσωμάτωσή της στο εθνικό δίκαιο, τα ηλεκτρικά εργαλεία πρέπει να συλλέγονται ξεχωριστά και να επιστρέφονται για ανακύκλωση με τρόπο φιλικό προς το περιβάλλον.</p>	<p>Dotyczy tylko państw UE Nie wyrzucaj elektronarzędzi wraz z odpadami z gospodarstwa domowego! Zgodnie z Europejską Dyrektywą 2002/96/WE w sprawie zużytego sprzętu elektrotechnicznego i elektronicznego oraz dostosowaniem jej do prawa krajowego, zużyte elektronarzędzia należy posegregować i zutylizować w sposób przyjazny dla środowiska.</p>
	<p>Jelölések ⚠ FIGYELEM Az alábbiakban a géphez alkalmazott jelölések vannak felsorolva. A gép használatá előtt feltétlenül ismerje meg ezeket a jelöléseket.</p>	<p>Symbole ⚠ UPOZORNĚNÍ Následující text obsahuje symboly, které jsou použity na zařízení. Ujistěte se, že rozumíte jejich obsahu před tím, než začnete zařízení používat.</p>	<p>Simgeler ⚠ ΔΙΚΚΑΤ Aşağıda, bu alet için kullanılan simgeler gösterilmiştir. Aleti kullanmadan önce bu simgelerin ne anlama geldiğini anladığınızdan emin olun.</p>	<p>Символы ⚠ ПРЕДУПРЕЖДЕНИЕ Ниже приведены символы, используемые для машины. Перед началом работы обязательно убедитесь в том, что Вы понимаете их значение.</p>
	<p>Olvasson el minden biztonsági figyelmeztetés és minden utasítást. A figyelmeztetések és utasítások be nem tartása áramütést, tüzet és/vagy súlyos sérülést eredményezhet.</p>	<p>Přečtěte si všechna varování týkající se bezpečnosti a všechny pokyny. Nedodržení těchto varování a pokynů může mít za následek elektrický šok, požár a/nebo vážné zranění.</p>	<p>Tüm güvenlik uyarılarını ve tüm talimatları okuyun. Uyarılara ve talimatlara uyulmaması elektrik çarpmasına, yangına ve/veya ciddi yaralanmaya neden olabilir.</p>	<p>Прочтите все правила безопасности и инструкции. Не выполнение правил и инструкций может привести к поражению электрическим током, пожару и/или серьезной травме.</p>
	<p>Csak EU-oroszágok számára Az elektromos kéziszerszámokat ne dobja a háztartási szeméttel! A használt villamos és elektronikai készülékekről szóló 2002/96/EK irányelv és annak a nemzeti jogba való átültetése szerint az elhasznált elektromos kéziszerszámokat külön kell gyűjteni, és környezetbarát módon újra kell hasznosítani.</p>	<p>Jen pro státy EU Elektrické nářadí nevyhazujte do komunálního odpadu! Podle evropské směrnice 2002/96/EG o nakládání s použitými elektrickými a elektronickými zařízeními a odpovídajících ustanovení právních předpisů jednotlivých zemí se použitá elektrická nářadí musí sbírat odděleně od ostatního odpadu a podrobit ekologicky šetrnému recyklování.</p>	<p>Sadece AB ülkeleri için Elektrikli el aletlerini evdeki çöp kutusuna atmayınız! Kullanılmış elektrikli aletleri, elektrik ve elektronik eski cihazlar hakkındaki 2002/96/EC Avrupa yönetelerine göre ve yönergelerine uygun olarak kullanılarak, ayrıca olarak toplandı ve çevre şartlarına uygun bir şekilde tekrar değerlendirilmeye gönderilmektedir.</p>	<p>Только для стран ЕС Не выкидывайте электроприборы вместе с обычным мусором! В соответствии с европейской директивой 2002/96/EG об утилизации старых электрических и электронных приборов и в соответствии с местными законами электроприборы, бывшие в эксплуатации, должны утилизироваться отдельно безопасным для окружающей среды способом.</p>

GENERAL POWER TOOL SAFETY WARNINGS

WARNING

Read all safety warnings and all instructions.

Failure to follow the warnings and instructions may result in electric shock, fire and/or serious injury.

Save all warnings and instructions for future reference.

The term "power tool" in the warnings refers to your mains-operated (corded) power tool or battery-operated (cordless) power tool.

1) Work area safety

- a) **Keep work area clean and well lit.**

Cluttered or dark areas invite accidents.

- b) **Do not operate power tools in explosive atmospheres, such as in the presence of flammable liquids, gases or dust.**

Power tools create sparks which may ignite the dust or fumes.

- c) **Keep children and bystanders away while operating a power tool.**

Distractions can cause you to lose control.

2) Electrical safety

- a) **Power tool plugs must match the outlet.**

Never modify the plug in any way.

Do not use any adapter plugs with earthed (grounded) power tools.

Unmodified plugs and matching outlets will reduce risk of electric shock.

- b) **Avoid body contact with earthed or grounded surfaces, such as pipes, radiators, ranges and refrigerators.**

There is an increased risk of electric shock if your body is earthed or grounded.

- c) **Do not expose power tools to rain or wet conditions.**

Water entering a power tool will increase the risk of electric shock.

- d) **Do not abuse the cord. Never use the cord for carrying, pulling or unplugging the power tool.**

Keep cord away from heat, oil, sharp edges or moving parts.

Damaged or entangled cords increase the risk of electric shock.

- e) **When operating a power tool outdoors, use an extension cord suitable for outdoor use.**

Use of a cord suitable for outdoor use reduces the risk of electric shock.

- f) **If operating a power tool in a damp location is unavoidable, use a residual current device (RCD) protected supply.**

Use of an RCD reduces the risk of electric shock.

3) Personal safety

- a) **Stay alert, watch what you are doing and use common sense when operating a power tool.**

Do not use a power tool while you are tired or under the influence of drugs, alcohol or medication.

A moment of inattention while operating power tools may result in serious personal injury.

- b) **Use personal protective equipment. Always wear eye protection.**

Protective equipment such as dust mask, non-skid safety shoes, hard hat, or hearing protection used for appropriate conditions will reduce personal injuries.

- c) **Prevent unintentional starting. Ensure the switch is in the off-position before connecting to power source and/or battery pack, picking up or carrying the tool.**

Carrying power tools with your finger on the switch or energising power tools that have the switch on invites accidents.

- d) **Remove any adjusting key or wrench before turning the power tool on.**

A wrench or a key left attached to a rotating part of the power tool may result in personal injury.

- e) **Do not overreach. Keep proper footing and balance at all times.**

This enables better control of the power tool in unexpected situations.

- f) **Dress properly. Do not wear loose clothing or jewellery. Keep your hair, clothing and gloves away from moving parts.**

Loose clothes, jewellery or long hair can be caught in moving parts.

- g) **If devices are provided for the connection of dust extraction and collection facilities, ensure these are connected and properly used.**

Use of dust collection can reduce dust related hazards.

4) Power tool use and care

- a) **Do not force the power tool. Use the correct power tool for your application.**

The correct power tool will do the job better and safer at the rate for which it was designed.

- b) **Do not use the power tool if the switch does not turn it on and off.**

Any power tool that cannot be controlled with the switch is dangerous and must be repaired.

- c) **Disconnect the plug from the power source and/or the battery pack from the power tool before making any adjustments, changing accessories, or storing power tools.**

Such preventive safety measures reduce the risk of starting the power tool accidentally.

- d) **Store idle power tools out of the reach of children and do not allow persons unfamiliar with the power tool or these instructions to operate the power tool.**

Power tools are dangerous in the hands of untrained users.

- e) **Maintain power tools. Check for misalignment or binding of moving parts, breakage of parts and any other condition that may affect the power tool's operation.**

If damaged, have the power tool repaired before use.
Many accidents are caused by poorly maintained power tools.

- f) **Keep cutting tools sharp and clean.**

Properly maintained cutting tools with sharp cutting edges are less likely to bind and are easier to control.

- g) **Use the power tool, accessories and tool bits etc. in accordance with these instructions, taking into account the working conditions and the work to be performed.**

Use of the power tool for operations different from those intended could result in a hazardous situation.

5) Service

- a) **Have your power tool serviced by a qualified repair person using only identical replacement parts.**

This will ensure that the safety of the power tool is maintained.

PRECAUTION

Keep children and infirm persons away.

When not in use, tools should be stored out of reach of children and infirm persons.

DRILL SAFETY WARNINGS

- Wear ear protectors with impact drills.**
Exposure to noise can cause hearing loss.
- Use auxiliary handles supplied with the tool.**
Loss of control can cause personal injury.

- Hold the drill and side handle securely with both hands when using.
- Do not wear gloves made of stuff liable to roll up such as cotton, wool, cloth or string, etc.
- Prior to drilling into walls, ceilings or floors, ensure there are no electric cables or conduits inside.

SPECIFICATIONS

Model		D10VF	D10VG	D13VF	D13VG	
Voltage (by areas)*		(110V, 220V, 230V, 240V) ~				
Power input		710W*				
No load speed		0-3,000min ⁻¹	0-1,200min ⁻¹	0-850min ⁻¹	0-600min ⁻¹	
Drill chuck capacity		10 mm		13 mm		
Capacity	Steel	Twist Bit	10 mm	10 mm	13 mm	13 mm
		Hole Saw	-	38 mm	51 mm	70 mm
	Wood	Flat Spade Bit	25 mm	32 mm	40 mm	40 mm
		Auger Bit	-	-	32 mm	38 mm
		Hole Saw	29 mm	70 mm	102 mm	114 mm
Weight (without cord)						
Spec. for keyed chuck		1.8 kg	1.9 kg	2.1 kg	2.1 kg	
Spec. for keyless chuck		1.8 kg	1.9 kg	2.0 kg	2.0 kg	

*Be sure to check the nameplate on product as it is subject to change by areas.

(Capacity with Angle attachment (Optional accessory for D13VF and D13VG))

Model		D13VF		D13VG		
Speed of angle unit		LOW(650min ⁻¹)	HIGH(1350min ⁻¹)	LOW(400min ⁻¹)	HIGH(900min ⁻¹)	
Capacity	Steel	Twist Bit	13 mm	13 mm	13 mm	13 mm
		Hole Saw	64 mm	32 mm	70 mm	51 mm
	Wood	Flat Spade Bit	40 mm	32 mm	40 mm	40 mm
		Auger Bit	38 mm	29 mm	38 mm	32 mm
		Hole Saw	114 mm	64 mm	114 mm	102 mm

STANDARD ACCESSORIES

- (D10VF)
 (1) Chuck wrench (Spec. only for keyed chuck) 1
 (D10VG and D13VF)
 (1) Side handle 1
 (2) Chuck wrench (Spec. only for keyed chuck) 1
 (D13VG)
 (1) Side handle 1
 (2) Handle joint 1
 (3) Chuck wrench (Spec. only for keyed chuck) 1
 Standard accessories are subject to change without notice.

OPTIONAL ACCESSORIES (sold separately)

- (D10VF)
 (1) Side handle
 (2) Hook (A)
 (D10VG)
 (1) Hook (A)
 (D13VF and D13VG)
 (1) Hook (A)
 (2) Angle attachment
 Optional accessories are subject to change without notice.

APPLICATIONS

- Boring holes in metal, wood and plastic.

PRIOR TO OPERATION

- Power source**
Ensure that the power source to be utilized conforms to the power requirements specified on the product nameplate.
- Power switch**
Ensure that the power switch is in the OFF position. If the plug is connected to a receptacle while the power switch is in the ON position, the power tool will start operating immediately, inviting serious accident.
- Extension cord**
When the work area is removed from the power source. Use an extension cord of sufficient thickness and rated capacity. The extension cord should be kept as short as practicable.
- Selecting the appropriate drill bit:**
 When boring metal or plastic
 Use ordinary metalworking drill bits.

- When boring wood
Use ordinary woodworking drill bits.
However, when drilling 6.5 mm or smaller holes, use a metalworking drill bit.

5. Mounting and dismounting of the bit

For keyed chuck (Fig. 1)

- (1) Open the chuck jaws, and insert the bit into the chuck.
- (2) Place the chuck wrench in each of the three holes in the chuck, and turn it in the clockwise direction (viewed from the front side). Tighten securely.
- (3) To remove the bit, place the chuck wrench into one of the holes in the chuck and turn it in the counterclockwise direction.

For keyless chuck (Fig. 2)

- (1) Open the chuck jaws, and insert the bit into the chuck.
To open the chuck jaws, hold the ring while turning the sleeve in the counterclockwise direction (viewed from the front side).
- (2) Firmly grasp the ring and turn the sleeve in the clockwise direction. Tighten securely.
- (3) To remove the bit, firmly grasp the ring and turn the sleeve in the counterclockwise direction.
- (4) If it is hard to loosen the sleeve, fix the spindle using the open-end wrench, hold the sleeve firmly, and turn it in the loosening direction (counterclockwise when viewed from the front). (Fig. 3)

6. Installing the side handle

For D10VG and D13VF

A Side handle is supplied with drill.

It can be installed on either side of the tool for right or left handed use.

To install the side handle, thread it into the socket on the desired side of the tool and tighten it securely. (Fig. 4)

For D13VG

The large torque of the motor for this drill can result in considerable reaction to your arms during drilling work. Accordingly, make absolutely sure before use that the side handle and the handle joint are completely installed. (Fig. 5)

7. Check the rotational direction (Fig. 6)

The bit rotates clockwise (viewed from the rear side) by pushing the R-side of the push button. The L-side of the push button is pushed to turn the bit counterclockwise.

(The (L) and (R) marks are provided on the body.)

8. Attaching the angle unit. (Optional accessory for D13VF and D13VG)

- (1) Removing chuck from drill (Fig. 7)
 - To remove the chuck from the drill, open the chuck jaws as far as possible and turn out the locking screw (left hand thread). This screw locks the chuck to the spindle. And hold the drill so that only the chuck rests firmly and squarely on the edge of a solid bench. Install the hex. bar wrench into the chuck. Turn the chuck until the wrench is at about a 30° angle to the bench top and strike the wrench sharply with a hammer so the chuck turns in the counterclockwise direction (viewed from the front side). This should loosen the chuck from the spindle

which has a right hand thread and you will be able to remove the chuck by hand.

CAUTION:

If the chuck cannot be removed by striking the wrench, don't strike the wrench forcibly and send the drill to a Hitachi Authorized Service Center.

(2) Attaching the angle unit.

- After removing the chuck, engage the coupling to the drill spindle. Fit the joint sleeve to the gear cover, attach the angle unit to the other end of the joint sleeve, and turn the angle unit slightly in either direction so the hex. hole in the coupling engages the hex. portion of the angle unit spindle. Adjust the direction of the angle unit and tighten the joint sleeve by clamping bolts.

Tighten two clamping bolts equally and gradually in turn with a torque of 70–80kg-cm. (extent of force which can be subjected by only a wrist with the open end wrench provided to tight clamping bolts.). (Fig. 8)

- To operate the angle unit at low speed, attach the chuck to the angle unit spindle at the side marked "LOW" and secure the locking screw. At this setting, the drilling speed is decreased to about 70% and the drilling torque increased to about 150%. (Fig. 9)

- To operate the angle unit at high speed, attach the chuck to the angle unit spindle at the side marked "HIGH" and secure the locking screw. At this setting, the drilling speed is increased to about 150% and the drilling torque decreased to about 70%. (Fig. 10)

(3) Installing the side handle (Fig. 11)

The side handle can be installed on either side of the angle unit for right or left handed use. To install the side handle, thread it into the socket on the desired side of the angle unit and tighten it securely.

- (4) Removing chuck from angle unit (Fig. 12)
 - The chuck can be removed from angle unit in the same manner it was removed from the drill; however, ALWAYS REMOVE ANGLE UNIT FROM THE DRILL BEFORE ATTEMPTING TO LOOSEN CHUCK. This will prevent damage of drills gear. Use open end wrench provided to hold angle unit spindle before attempting to loosen chuck.

CAUTION:

If the chuck cannot be removed by striking the wrench, don't strike the wrench forcibly and send the drill to a Hitachi Authorized Service Center.

9. Attaching the hook. (Optional accessory) (Fig. 13)

To attach the hook, it is necessary to disassemble the handle portion which covered the tool's electrical system. For your continued safety and electrical shock protection, installing the hook on this drill should ONLY be performed by a Hitachi Authorized Service Center.

CAUTION:

When the power tool is used with a hook fixed to it, pay attention to the following points:

- Before hanging the main unit from the waist belt, make sure that the drill has come to a complete stop.

While it is suspended from the waist belt, the power plug must be disconnected from the power source.

- Do not walk about with the power tool hanging from the waist belt.

- In the case of operation in a high place, it is dangerous to drop the tool accidentally. If the hook is deformed or hung from the wrong position, there is danger that the hook will slip off and the tool will fall.
Be careful to avoid danger.
- In making a through hole, the power tool sometimes shakes violently when the workpiece is pierced, from example. Be careful you are not hurt by the hook even if such situation happens.

HOW TO USE

1. Switch operation

- When the trigger is depressed, the tool rotates. When the trigger is released, the tool stops.
- The rotational speed of the drill can be controlled by varying the amount that the trigger switch is pulled. Speed is low when the trigger switch is pulled slightly and increases as the trigger switch is pulled more.
- Pulling the trigger and pushing the stopper, it keeps the switched-on condition which is convenient for continuous running. When switching off, the stopper can be disconnected by pulling the trigger again.

2. Drilling

- When drilling, start the drill slowly, and gradually increasing speed as you drill.
- Always apply pressure in a straight line with the bit. Use enough pressure to keep drilling, but do not push hard enough to stall the motor or deflect the bit.
- To minimize stalling or breaking through the material, reduce pressure on drill and ease the bit through the last part of the hole.
- If the drill stalls, release the trigger immediately, remove the bit from the work and start again. Do not click the trigger on and off in an attempt to start a stalled drill. This can damage the drill.
- The larger the drill bit diameter, the larger the reactive force on your arm.
Be careful not to lose control of the drill because of this reactive force.
To maintain firm control, establish a good foothold, use side handle, hold the drill tightly with both hands, and ensure that the drill is vertical to the material being drilled.

MAINTENANCE AND INSPECTION

1. Inspecting the drill bits

Since use of an abraded drill bits will cause motor malfunctioning and degraded efficiency, replace the drill bits with a new one or resharpening without delay when abrasion is noted.

2. Inspecting the mounting screws

Regularly inspect all mounting screws and ensure that they are properly tightened. Should any of the screws be loose, retighten them immediately. Failure to do so could result in serious hazard.

3. Maintenance of the motor

The motor unit winding is the very "heart" of the power tool. Exercise due care to ensure the winding does not become damaged and/or wet with oil or water.

4. Inspecting the carbon brushes

For your continued safety and electrical shock protection, carbon brush inspection and replacement on this tool should ONLY be performed by a Hitachi Authorized Service Center.

5. Service parts list

- A: Item No.
- B: Code No.
- C: No. Used
- D: Remarks

CAUTION

Repair, modification and inspection of Hitachi Power Tools must be carried out by a Hitachi Authorized Service Center.

This Parts List will be helpful if presented with the tool to the Hitachi Authorized Service Center when requesting repair or other maintenance.

In the operation and maintenance of power tools, the safety regulations and standards prescribed in each country must be observed.

MODIFICATION

Hitachi Power Tools are constantly being improved and modified to incorporate the latest technological advancements.

Accordingly, some parts (i.e. code numbers and/or design) may be changed without prior notice.

GUARANTEE

We guarantee Hitachi Power Tools in accordance with statutory/country specific regulation. This guarantee does not cover defects or damage due to misuse, abuse, or normal wear and tear. In case of complaint, please send the Power Tool, undismantled, with the GUARANTEE CERTIFICATE found at the end of this Handling instruction, to a Hitachi Authorized Service Center.

NOTE

Due to HITACHI's continuing program of research and development, the specifications herein are subject to change without prior notice.

Information concerning airborne noise and vibration

The measured values were determined according to EN60745 and declared in accordance with ISO 4871.

[D13VG]

Measured A-weighted sound pressure level: 84 dB (A)
Uncertainty KpA: 3 dB (A).

Wear ear protection.

The typical weighted root mean square acceleration value: 2.5 m/s².

ALLGEMEINE SICHERHEITSHINWEISE FÜR ELEKTROGERÄTE

WARNUNG

Lesen Sie sämtliche Sicherheitshinweise und Anweisungen durch. Wenn die Warnungen und Anweisungen nicht befolgt werden, kann es zu Stromschlag, Brand und/oder ernsthaften Verletzungen kommen.

Bitte bewahren Sie alle Warnhinweise und Anweisungen zum späteren Nachschlagen auf.

Der Begriff „Elektrowerkzeug“ bezieht sich in den Warnhinweisen auf Elektrowerkzeuge mit Netz- (schnurgebunden) oder Akkubetrieb (schnurlos).

1) Sicherheit im Arbeitsbereich

- a) Sorgen Sie für einen sauberen und gut ausgeleuchteten Arbeitsbereich.
Zugestellte oder dunkle Bereiche ziehen Unfälle förmlich an.
- b) Verwenden Sie Elektrowerkzeuge niemals an Orten, an denen Explosionsgefahr besteht – zum Beispiel in der Nähe von leicht entflammaren Flüssigkeiten, Gasen oder Stäuben.
Bei der Arbeit mit Elektrowerkzeugen kann es zu Funkenbildung kommen, wodurch sich Stäube oder Dämpfe entzünden können.
- c) Sorgen Sie bei der Arbeit mit Elektrowerkzeugen dafür, dass sich keine Zuschauer (insbesondere Kinder) in der Nähe befinden.
Wenn Sie abgelenkt werden, können Sie die Kontrolle über das Werkzeug verlieren.

2) Elektrische Sicherheit

- a) Elektrowerkzeuge müssen mit passender Stromversorgung betrieben werden.
Nehmen Sie niemals irgendwelche Änderungen am Anschlussstecker vor.
Verwenden Sie bei Elektrowerkzeugen mit Schutzkontakt (geerdet) niemals Adapterstecker.
Stecker im Originalzustand und passende Steckdosen reduzieren das Stromschlagrisiko.
- b) Vermeiden Sie Körperkontakt mit geerdeten Gegenständen wie Rohrleitungen, Heizungen, Herden oder Kühlschränken.
Bei Körperkontakt mit geerdeten Gegenständen besteht ein erhöhtes Stromschlagrisiko.
- c) Setzen Sie Elektrowerkzeuge niemals Regen oder sonstiger Feuchtigkeit aus.
Wenn Flüssigkeiten in ein Elektrowerkzeug eindringen, erhöht sich das Stromschlagrisiko.
- d) Verwenden Sie die Anschlusschnur nicht missbräuchlich. Tragen Sie das Elektrowerkzeug niemals an der Anschlusschnur, ziehen Sie es nicht damit heran und ziehen Sie den Stecker nicht an der Anschlusschnur aus der Steckdose.
Halten Sie die Anschlusschnur von Hitzequellen, Öl, scharfen Kanten und beweglichen Teilen fern.
Beschädigte oder verdrehte Anschlusschnüre erhöhen das Stromschlagrisiko.
- e) Wenn Sie ein Elektrowerkzeug im Freien benutzen, verwenden Sie ein für den Außeneinsatz geeignetes Verlängerungskabel.
Ein für den Außeneinsatz geeignetes Kabel vermindert das Stromschlagrisiko.
- f) Falls sich der Betrieb des Elektrowerkzeuges in feuchter Umgebung nicht vermeiden lässt, verwenden Sie eine Stromversorgung mit Fehlerstromschutzeinrichtung (Residual Current Device, RCD).
Durch den Einsatz einer Fehlerstromschutzeinrichtung wird das Risiko eines elektrischen Schlages reduziert.

3) Persönliche Sicherheit

- a) Bleiben Sie wachsam, achten Sie auf das, was Sie tun, und setzen Sie Ihren Verstand ein, wenn Sie mit Elektrowerkzeugen arbeiten.
Benutzen Sie keine Elektrowerkzeuge, wenn Sie müde sind oder unter Einfluss von Drogen, Alkohol oder Medikamenten stehen.
Bei der Arbeit mit Elektrowerkzeugen können bereits kurze Phasen der Unaufmerksamkeit zu schweren Verletzungen führen.
 - b) Benutzen Sie eine persönliche Schutzausrüstung. Tragen Sie immer einen Augenschutz.
Schutzausrüstung wie Staubmaske, rutschsichere Sicherheitsschuhe, Schutzhelm und Gehörschutz senken das Verletzungsrisiko bei angemessenem Einsatz.
 - c) Vermeiden Sie unbeabsichtigten Anlauf. Achten Sie darauf, dass sich der Schalter in der Aus- (Off-) Position befindet, ehe Sie das Gerät mit der Stromversorgung und/oder Batteriestromversorgung verbinden, es aufheben oder heruntertragen.
Das Herumtragen von Elektrowerkzeugen mit dem Finger am Schalter oder das Herstellen der Stromversorgung bei betätigtem Schalter zieht Unfälle regelrecht an.
 - d) Entfernen Sie sämtliche Einstellwerkzeuge (Einstellschlüssel), ehe Sie das Elektrowerkzeug einschalten.
Ein an einem beweglichen Teil des Elektrowerkzeuges angebrachter Schlüssel kann zu Verletzungen führen.
 - e) Sorgen Sie für einen festen Stand. Achten Sie jederzeit darauf, sicher zu stehen und das Gleichgewicht zu bewahren.
Dadurch haben Sie das Elektrowerkzeug in unerwarteten Situationen besser im Griff.
 - f) Kleiden Sie sich richtig. Tragen Sie keine lose Kleidung oder Schmuck. Halten Sie Haar, Kleidung und Handschuhe von beweglichen Teilen fern.
Lose Kleidung, Schmuck oder langes Haar kann von beweglichen Teilen erfasst werden.
 - g) Wenn Anschlüsse für Staubabsaug- und -sammelvorrichtungen vorhanden sind, sorgen Sie dafür, dass diese richtig angeschlossen und eingesetzt werden.
Durch Entfernen des Staubes können staubbezogene Gefahren vermindert werden.
- #### 4) Einsatz und Pflege von Elektrowerkzeugen
- a) Überprüfen Sie das Elektrowerkzeug nicht. Benutzen Sie das richtige Elektrowerkzeug für Ihren Einsatzzweck.
Das richtige Elektrowerkzeug erledigt seine Arbeit bei bestimmungsgemäßem Einsatz besser und sicherer.
 - b) Benutzen Sie das Elektrowerkzeug nicht, wenn es sich nicht am Schalter ein- und ausschalten lässt.
Jedes Elektrowerkzeug, das nicht mit dem Schalter betätigt werden kann, stellt eine Gefahr dar und muss repariert werden.
 - c) Stecken Sie den Stecker der Stromversorgung oder Batteriestromversorgung vom Gerät ab, ehe Sie Einstellarbeiten vornehmen, Zubehörteile tauschen oder das Elektrowerkzeug verstauen.
Solche präventiven Sicherheitsmaßnahmen verhindern den unbeabsichtigten Anlauf des Elektrowerkzeugs und die damit verbundenen Gefahren.
 - d) Lagern Sie nicht benutzte Elektrowerkzeuge außerhalb der Reichweite von Kindern, lassen Sie nicht zu, dass Personen das Elektrowerkzeug bedienen, die nicht mit dem Werkzeug selbst und/oder diesen Anweisungen vertraut sind.
Elektrowerkzeuge in ungeschulten Händen sind gefährlich.
 - e) Halten Sie Elektrowerkzeuge in Stand. Prüfen Sie auf Fehlausrichtungen, sicheren Halt und Leichtgängigkeit beweglicher Teile, Beschädigungen von Teilen und auf jegliche andere Zustände, die sich auf den Betrieb des Elektrowerkzeugs auswirken können.

Bei Beschädigungen lassen Sie das Elektrowerkzeug reparieren, ehe Sie es benutzen.

Viele Unfälle mit Elektrowerkzeugen sind auf schlechte Wartung zurückzuführen.

- f) Halten Sie Schneidwerkzeuge scharf und sauber. Richtig gewartete Schneidwerkzeuge mit scharfen Schneidkanten bleiben weniger häufig hängen und sind einfacher zu beherrschen.
- g) Benutzen Sie Elektrowerkzeuge, Zubehör, Werkzeugspitzen und Ähnliches in Übereinstimmung mit diesen Anweisungen – beachten Sie dabei die jeweiligen Arbeitsbedingungen und die Art und Weise der auszuführenden Arbeiten.
Der Gebrauch des Elektrowerkzeuges für andere als die vorgesehenen Anwendungen kann zu gefährlichen Situationen führen.

5) Service

- a) Lassen Sie Elektrowerkzeuge durch qualifizierte Fachkräfte und unter Einsatz passender, zugelassener Originalteile warten.
Dies sorgt dafür, dass die Sicherheit des Elektrowerkzeuges nicht beeinträchtigt wird.

VORSICHT

Von Kindern und gebrechlichen Personen fernhalten. Werkzeuge sollten bei Nichtgebrauch außerhalb der Reichweite von Kindern und gebrechlichen Personen aufbewahrt werden.

TECHNISCHE DATEN

SICHERHEITSHINWEISE FÜR DIE BOHRMASCHINE

1. Tragen Sie bei der Arbeit mit Schlagbohrmaschinen einen Gehörschutz. Starke und/oder dauerhafte Lärmbelastung kann zu Gehörverlust führen.
2. Benutzen Sie die mit dem Werkzeug gelieferten Zusatzgriffe. Wenn Sie die Kontrolle über das Werkzeug verlieren, kann es zu Verletzungen kommen.
3. Halten Sie bei der Verwendung den Bohrer und den Seitengriff sicher mit beiden Händen.
4. Tragen Sie keine Handschuhe aus Stoff, der zum Aufrollen neigt, wie z.B. Baumwolle, Wolle, Leinen usw.
5. Stellen Sie vor dem Bohren in Wänden, Decken und Böden sicher, daß keine elektrischen Kabel oder Kabelrohre vorhanden sind.

Modell		D10VF	D10VG	D13VF	D13VG	
Spannung (nach Bereichen)*		(110V, 220V, 230V, 240V) ~				
Leistungsaufnahme		710W*				
Leerlaufdrehzahl		0 bis 3000min ⁻¹	0 bis 1200min ⁻¹	0 bis 850min ⁻¹	0 bis 600min ⁻¹	
Spannfutterkapazität		10 mm		13 mm		
Kapazität	Stahl	Spiralbohrer	10 mm	10 mm	13 mm	13 mm
		Lochsäge	–	38 mm	51 mm	70 mm
	Holz	Flachspitzbohrer	25 mm	32 mm	40 mm	40 mm
		Stangenbohrer	–	–	32 mm	38 mm
		Lochsäge	29 mm	70 mm	102 mm	114 mm
Gewicht (ohne Kabel)						
Modell mit Bohrfutterschlüssel		1,8 kg	1,9 kg	2,1 kg	2,1 kg	
Modell mit schlüsselfreiem Bohrfutter		1,8 kg	1,9 kg	2,0 kg	2,0 kg	

*Überprüfen Sie das Typenschild am Erzeugnis, da Änderungen je nach Bereich jederzeit vorbehalten bleiben.

(Kapazität mit Winkelvorsatz (Sonderzubehör für D13VF und D13VG))

Modell		D13VF		D13VG		
Drehzahl des Winkelvorsatzgerätes		LOW (650min ⁻¹)	HIGH(1350min ⁻¹)	LOW (400min ⁻¹)	HIGH (900min ⁻¹)	
Kapazität	Stahl	Spiralbohrer	13 mm	13 mm	13 mm	13 mm
		Lochsäge	64 mm	32 mm	70 mm	51 mm
	Holz	Flachspitzbohrer	40 mm	32 mm	40 mm	40 mm
		Stangenbohrer	38 mm	29 mm	38 mm	32 mm
		Lochsäge	114 mm	64 mm	114 mm	102 mm

STANDARDZUBEHÖR

(D10VF)

(1) Spannfeederschlüssel
(nur Modell mit Spannfeederschlüssel) 1

(D10VG und D13VF)

(1) Seitengriff 1

(2) Spannfeederschlüssel
(nur Modell mit Spannfeederschlüssel) 1

(D13VG)

(1) Seitengriff 1

(2) Handgriff-Verbindungsstück 1

(3) Spannfeederschlüssel
(nur Modell mit Spannfeederschlüssel) 1

Das Standardzubehör kann ohne vorherige Bekanntmachung jederzeit geändert werden.

SONDERZUBEHÖR (separat zu beziehen)

(D10VF)

(1) Seitengriff

(2) Haken (A)

(D10VG)

(1) Haken (A)

(D13VF und D13VG)

(1) Haken (A)

(2) Winkelvorsatz

Das Sonderzubehör kann ohne vorherige Bekanntmachung jederzeit geändert werden.

ANWENDUNGEN

- Bohren von Löchern in Metall, Holz und plastisches Material.

VOR INBETRIEBNAHME

1. Netzspannung

Prüfen, daß die zu verwendende Netzspannung der Angabe auf dem Typenschild entspricht.

2. Netzschalter

Prüfen, daß der Netzschalter auf "AUS" steht. Wenn der Stecker an das Netz angeschlossen ist, Während der Schalter auf "EIN" steht, beginnt das Werkzeug sofort zu laufen und bedeutet ernsthafte Gefahr.

3. Verlängerungskabel

Wenn der Arbeitsbereich nicht in der Nähe des Netzanschlusses liegt, ist ein Verlängerungskabel ausreichender Querschnitts und ausreichender Nennleistung zu verwenden. Das Verlängerungskabel sollte so kurz wie möglich gehalten werden.

4. Wahl des angemessenen Bohrers:

- Beim Bohren von Metall oder Plastik Verwenden Sie normale Bohrer für Metallbearbeitung.
- Beim Bohren von Holz: Verwenden Sie normale Bohrer für Holz. Verwenden Sie jedoch Bohrer für Metallbearbeitung für Löcher mit einem Durchmesser von 6,5 mm oder weniger.

5. Anbringen und Entfernen des Bohrers

Für ein Bohrfutter mit Schlüssel (Abb. 1)

- (1) Öffnen Sie die Spannbacken des Feeders und schieben Sie den Bohrer in das Futter.

- (2) Schieben Sie den Feederschlüssel in jedes der drei Löcher des Spannfeeders ein und drehen Sie den Schlüssel im Uhrzeigersinn (von der Vorderseite her gesehen). Ziehen Sie fest an.
- (3) Schieben Sie zum Entfernen des Bohrers den Feederschlüssel in eins der Löcher des Spannfeeders und drehen Sie ihn gegen den Uhrzeigersinn.

Für ein schlüsselfreies Spannfeeders (Abb. 2)

- (1) Öffnen Sie die Spannbacken des Feeders und schieben Sie den Bohrer in das Futter.
- (2) Halten Sie den Ring fest und drehen Sie die Muffe im Uhrzeigersinn. Ziehen Sie fest an.
- (3) Halten Sie zum Entfernen des Bohrers den Ring fest und drehen Sie die Muffe entgegen dem Uhrzeigersinn.
- (4) Wenn es schwierig ist, die Muffe zu lösen, so fixieren Sie die Spindel mit dem Maulschlüssel, halten Sie die Muffe fest, und drehen Sie sie in Lösungsrichtung (von der Vorderseite her gesehen gegen den Uhrzeigersinn). (Abb. 3)

6. Installation des Seitengriffs

Für D10VG und D13VF

Ein Seitengriff wird mit der Bohrmaschine mitgeliefert.

Er kann an beiden Seiten des Werkzeugs angebracht werden, für rechts- oder linkshändige Verwendung. Installieren Sie den Seitengriff durch Einschrauben in das Gewindeloch auf der gewünschten Seite des Werkzeugs, und ziehen Sie ihn sicher an. (Abb. 4)

Für D13VG

Das große Drehmoment des Motors dieser Bohrmaschine kann beim Bohren eine beträchtliche Reaktion auf Ihre Arme ausüben. Stellen Sie deshalb vor der Verwendung unbedingt sicher, daß der Seitengriff und das Handgriff-Verbindungsstück vollständig installiert sind. (Abb. 5)

7. Überprüfen der Drehrichtung (Abb. 6)

Der Bohrer dreht sich im Uhrzeigersinn (gesehen von hinten), Wenn die R-Seite des Druckknopfs gedrückt wird. Wenn die L-Seite des Bohrers gedrückt wird, dreht sich der Bohrer gegen den Uhrzeigersinn.

(Die Markierungen (L) und (R) befinden sich auf dem Körper der Bohrmaschine.)

8. Anbringen des Winkelvorsatzgerätes (Sonderzubehör für D13VF und D13VG)

- (1) Entfernen des Spannfeeders von der Bohrmaschine (Abb. 7)
 - Öffnen Sie zum Entfernen des Spannfeeders die Spannbacken des Spannfeeders so weit wie möglich, und drehen Sie die Feststellschraube heraus (Linksgewinde). Diese Schraube verriegelt das Spannfeeders an der Spindel. Halten Sie die Bohrmaschine so, daß das Spannfeeders fest und sicher auf der Kante einer soliden Werkbank aufliegt. Spannen Sie den Sechskant-Steckschlüssel in das Spannfeeders ein. Drehen Sie das Spannfeeders, bis der Steckschlüssel einen Winkel von etwa 30° zur Oberfläche der Werkbank hat, und schlagen Sie dann den Steckschlüssel kräftig mit einem Hammer, damit sich das Spannfeeders gegen den Uhrzeigersinn dreht (gesehen von der Vorderseite her). Dies sollte das Spannfeeders von der Spindel lösen, die ein Rechtsgewinde hat, und dann können Sie das Spannfeeders von Hand entfernen.

ACHTUNG:

Wenn das Spannfutter nicht durch Schlagen auf den Steckschlüssel entfernt werden kann, so wenden Sie keine Gewalt an, sondern schicken Sie die Bohrmaschine an ein Autorisiertes Hitachi-Wartungszentrum ein.

(2) Anbringen des Winkelvorsatzgerätes

- Bringen Sie nach Entfernen des Spannfutters die Kupplung in Eingriff mit der Bohrerstange. Schieben Sie die Verbindungsmuffe auf die Getriebeabdeckung, bringen Sie das Winkelvorsatzgerät am anderen Ende der Verbindungsmuffe an, und drehen Sie das Winkelvorsatzgerät etwas in beliebiger Richtung, damit das sechseckige Loch in der Kupplung in Eingriff mit dem sechseckigen Abschnitt der Spindel des Winkelvorsatzgerätes kommt. Richten Sie das Winkelvorsatzgerät wie gewünscht aus und ziehen Sie die Klemmschrauben der Verbindungsmuffe fest an.

Ziehen Sie die zwei Klemmschrauben abwechselnd und gleichförmig mit einem Drehmoment von 70 bis 80 kg-cm an (dies entspricht der Kraft, die mit der Hand auf den Maulschlüssel an den Klemmschrauben angewendet werden kann). (**Abb. 8**)

- Bringen Sie für Betrieb des Winkelvorsatzgerätes mit niedriger Drehzahl das Spannfutter an der mit „LOW“ markierten Seite an und ziehen Sie die Feststellschraube fest an. Bei dieser Einstellung wird die Bohrdrehzahl auf etwa 70% verringert und das Bohrdrehmoment wird auf etwa 150% erhöht. (**Abb. 9**)
- Bringen Sie für Betrieb des Winkelvorsatzgerätes mit hoher Drehzahl das Spannfutter an der mit „HIGH“ markierten Seite an und ziehen Sie die Feststellschraube fest an. Bei dieser Einstellung wird die Bohrdrehzahl auf etwa 150% erhöht und das Bohrdrehmoment wird auf etwa 70% verringert. (**Abb. 10**)

(3) Anbringen des Seitengriffs (Abb. 11)

Der Seitengriff kann für rechts- oder linkshändige Verwendung an einer der beiden Seiten des Winkelvorsatzgerätes angebracht werden. Schrauben Sie den Seitengriff zum Installieren in das Gewindeloch auf der gewünschten Seite des Winkelvorsatzgerätes und ziehen Sie ihn sicher an.

(4) Entfernen des Bohrfutters vom Winkelvorsatzgerät (Abb. 12)

- Das Bohrfutter kann vom Winkelvorsatzgerät auf die gleiche Weise wie von der Bohrmaschine entfernt werden. **ENTFERNEN SIE JEDOCH IMMER DAS WINKELVORSATZGERÄT VON DER BOHRMASCHINE, BEVOR SIE VERSUCHEN, DAS SPANNFUTTER ZU LÖSEN.** Dies verhält eine Beschädigung des Bohrertriebes. Verwenden Sie den mitgelieferten Maulschlüssel, um die Spindel des Winkelvorsatzgerätes zu halten, bevor Sie versuchen, das Spannfutter zu lösen.

ACHTUNG:

Wenn das Spannfutter nicht durch Schlagen auf den Steckschlüssel entfernt werden kann, so wenden Sie keine Gewalt an, sondern schicken Sie die Bohrmaschine an ein Autorisiertes Hitachi-Wartungszentrum ein.

9. Anbringen des Hakens (Sonderzubehör) (Abb. 13)

Zum Anbringen des Hakens ist es erforderlich, den Handgriffabschnitt zu entfernen, der das Elektrosystem der Bohrmaschine abdeckt. Zur Erhaltung Ihrer Sicherheit und des Schutzes gegen elektrischen Schlag sollte der Haken NUR durch ein Autorisiertes Hitachi-Wartungszentrum angebracht werden.

Achtung:

- Achten Sie bei Verwendung der Bohrmaschine mit angebrachtem Haken auf die folgenden Punkte:
 - Stellen Sie sicher, daß die Bohrmaschine vollständig angehalten hat, bevor Sie diese am Gürtel aufhängen. Während Aufhängung am Gürtel muß der Stecker des Netzkabels aus der Steckdose gezogen sein.
 - Gehen Sie nicht herum, während die Bohrmaschine am Gürtel hängt.
 - Bei Arbeit an einem höheren Ort ist versehentliches Herunterfallen der Bohrmaschine gefährlich. Wenn der Haken verformt ist oder Aufhängung an der falschen Stelle erfolgt, besteht die Gefahr, daß sich der Haken löst und die Bohrmaschine herunterfällt. Lassen Sie Sorgfalt walten, um Gefahr zu verhüten.
 - Beim Bohren eines durchgehenden Loches kann es zu heftigem Schütteln der Bohrmaschine kommen, wenn die Bohrerstange aus dem Material austritt. Achten Sie darauf, daß Sie auch in einem solchen Fall nicht durch den Haken verletzt werden.

VERWENDUNG**1. Schalterbetätigung**

- Wenn der Abzugsschalter durchgedrückt wird, dreht sich das Werkzeug. Wenn der Abzugsschalter losgelassen wird, hält das Werkzeug an.
- Die Drehzahl des Bohrers kann durch entsprechendes Durchziehen des Abzugsschalters geregelt werden. Wenn der Abzugsschalter nur leicht durchgedrückt wird, ist die Drehzahl niedrig, und sie nimmt zu, wenn der Abzugsschalter stärker durchgedrückt wird.
- Wenn der Abzugsschalter durchgedrückt und der Stopper gedrückt wird, bleibt die Maschine eingeschaltet, was angenehm für kontinuierliche Verwendung ist. Zum Ausschalten kann der Stopper durch erneutes Durchdrücken des Abzugsschalters freigegeben werden.

2. Bohren

- Starten Sie zum Bohren die Bohrmaschine langsam und erhöhen Sie die Drehzahl beim Bohren.
- Drücken Sie immer in einer geraden Linie mit dem Bohrer. Drücken Sie mit ausreichender Kraft, um weiter zu Bohren, aber nicht so stark, daß der Motor anhält oder der Bohrer abgelenkt wird.
- Verringern Sie am Ende des Loches den Druck auf den Bohrer und leiten Sie den Bohrer vorsichtig durch den letzten Teil des Loches, um Stehenbleiben oder Durchbrechen durch das Material zu vermeiden.
- Wenn der Bohrer stehenbleibt, so lassen Sie sofort den Abzugsschalter los, ziehen Sie den Bohrer aus dem Loch, und beginnen Sie erneut. Ziehen Sie nicht den Abzugsschalter wiederholt durch, um einen stehengebliebenen Bohrer zu starten. Dies kann den Bohrer beschädigen.
- Je größer der Durchmesser des Bohrers ist, um so stärker ist die Reaktionskraft auf Ihren Arm.

Achten Sie darauf, durch die Reaktionskraft nicht die Kontrolle über die Bohrmaschine zu verlieren. Stellen Sie sich für sichere Kontrolle des Bohrers sicher hin, verwenden Sie den Seitengriff, halten Sie die Bohrmaschine mit beiden Händen fest, und stellen Sie sicher, daß der Bohrer senkrecht zum zu bohrenden Material steht.

WARTUNG UND INSPEKTION

1. Inspektion der Bohrer

Da ein abgenutzter Bohrer Fehlfunktion des Motors und verringerte Wirksamkeit verursacht, sollten Sie die Bohrer sofort schärfen durch neue ersetzen, wenn Verschleiß festgestellt wird.

2. Inspektion der Befestigungsschraube

Alle Befestigungsschrauben werden regelmäßig inspiziert und geprüft, daß sie richtig angezogen sind. Wenn sich eine der Schrauben lockert, muß sie sofort wieder angezogen werden. Geschieht das nicht, kann das zu erheblicher Gefahr führen.

3. Wartung des Motors

Die Motorwicklung ist das "Herz" des Elektrowerkzeugs. Daher ist besonders sorgfältig darauf zu achten, daß die Wicklung nicht beschädigt und/oder mit Öl oder Wasser benetzt wird.

4. Inspektion der Kohlebürsten

Zur Erhaltung Ihrer Sicherheit und des Schutzes gegen elektrischen Schlag sollten Inspektion und Auswechseln der Kohlebürsten NUR durch ein Autorisiertes Hitachi-Wartungszentrum durchgeführt werden.

5. Liste der Wartungsteile

A : Punkt Nr.
B : Code Nr.
C : Verwendete Anzahl
D : Bemerkungen

ACHTUNG:

Reparatur, Modifikation und Inspektion von Hitachi-Elektrowerkzeugen müssen durch ein Autorisiertes Hitachi-Wartungszentrum durchgeführt werden.

Diese Teileliste ist hilfreich, wenn sie dem Autorisierten Hitachi-Wartungszentrum zusammen mit dem Werkzeug für Reparatur oder Wartung ausgehändigt wird.

Bei Betrieb und Wartung von Elektrowerkzeugen müssen die Sicherheitsvorschriften und Normen beachtet werden.

MODIFIKATIONEN:

Hitachi-Elektrowerkzeuge werden fortwährend verbessert und modifiziert, um die neuesten technischen Fortschritte einzubauen.

Dementsprechend ist es möglich, daß einige Teile (z.B. Codenummern bzw. Entwurf) ohne vorherige Benachrichtigung geändert werden.

GARANTIE

Auf Hitachi-Elektrowerkzeuge gewähren wir eine Garantie unter Zugrundelegung der jeweils geltenden gesetzlichen und landesspezifischen Bedingungen. Dieses Garantie erstreckt sich nicht auf Gehäusedefekte und nicht auf Schäden, die auf Missbrauch, bestimmungswidrigen Einsatz oder normalen Verschleiß zurückzuführen sind. Im Schadensfall senden Sie das nicht zerlegte Elektrowerkzeug zusammen mit dem GARANTIESCHEIN, den Sie am Ende der Bedienungsanleitung finden, an ein von Hitachi autorisiertes Servicecenter.

ANMERKUNG

Aufgrund des ständigen Forschungs- und Entwicklungsprogramms von HITACHI sind Änderungen der hierin gemachten technischen Angaben vorbehalten.

Information über Betriebslärm und Vibration

Die gemessenen Werte wurden entsprechend EN60745 bestimmt und in Übereinstimmung mit ISO 4871 ausgewiesen.

[D13VG]

Gemessener A-gewichteter Schalldruck: 84 dB (A)
Messunsicherheit KpA: 3 dB (A)

Bei der Arbeit immer einen Ohrschutz tragen.

Der typische gewogene quadratische Mittelwert für die Beschleunigung ist 2,5 m/s².

ΓΕΝΙΚΕΣ ΠΡΟΕΙΔΟΠΟΙΗΣΕΙΣ ΑΣΦΑΛΕΙΑΣ ΗΛΕΚΤΡΙΚΟΥ ΕΡΓΑΛΕΙΟΥ

⚠ ΠΡΟΣΟΧΗ

Διαβάξτε όλες τις προειδοποιήσεις ασφαλείας και όλες τις οδηγίες.

Η μη τήρηση των προειδοποιήσεων και οδηγιών μπορεί να προκαλέσει ηλεκτροπληξία, πυρκαγιά και/ή σοβαρό τραυματισμό.

Φυλάξτε όλες τις προειδοποιήσεις και τις οδηγίες για μελλοντική αναφορά.

Ο όρος "ηλεκτρικό εργαλείο" στις προειδοποιήσεις αναφέρεται στο ηλεκτρικό εργαλείο (με καλώδιο) που λειτουργεί στους αγωγούς ή στο ηλεκτρικό εργαλείο που λειτουργεί στη μπαταρία (χωρίς καλώδιο).

1) Ασφάλεια χώρου εργασίας

- Διατηρείτε το χώρο εργασίας καθαρό και καλά φωτισμένο.**
Σε ακατάστατες ή σκοτεινές περιοχές μπορεί να προκληθούν ατυχήματα.
- Μην χρησιμοποιείτε τα ηλεκτρικά εργαλεία σε περιβάλλον, στο οποίο μπορεί να προκληθεί έκρηξη, όπως παρουσία εύφλεκτων υγρών, αερίων ή σκόνης.**
Τα ηλεκτρικά εργαλεία δημιουργούν σπινθήρες, οι οποίοι μπορεί να αναφλέξουν τη σκόνη ή τον καπνό.
- Κρατήστε τα παιδιά και τους παρευρισκόμενους μακριά όταν χρησιμοποιείτε ένα ηλεκτρικό εργαλείο.**
Αν αποσπαστεί η προσοχή σας, υπάρχει κίνδυνος να χάσετε τον έλεγχο.

2) Ηλεκτρική ασφάλεια

- Τα φως των ηλεκτρικών εργαλείων πρέπει να είναι κατάλληλα για τις πρίζες.**
Μην τροποποιήσετε ποτέ το φως με οποιονδήποτε τρόπο. Μην χρησιμοποιείτε φως προσαρμογής με γειωμένα ηλεκτρικά εργαλεία.
Τα μη τροποποιημένα φως και οι κατάλληλες πρίζες μειώνουν τον κίνδυνο ηλεκτροπληξίας.
- Αποφύγετε τη σωματική επαφή με γειωμένες επιφάνειες όπως σωλήνες, θερμάστρες, μαγειρικές συσκευές και ψυγεία.**
Υπάρχει αυξημένος κίνδυνος ηλεκτροπληξίας όταν το σώμα σας είναι γειωμένο.
- Όταν εκθέτετε τα ηλεκτρικά εργαλεία στη βροχή ή σε συνθήκες υγρασίας.**
Το νερό που εισέρχεται σε ένα ηλεκτρικό εργαλείο αυξάνει τον κίνδυνο ηλεκτροπληξίας.
- Μην ασκείτε δύναμη στο καλώδιο. Μην χρησιμοποιείτε ποτέ το καλώδιο για να μεταφέρετε, να τραβήξετε ή να δγάλετε από την πρίζα το ηλεκτρικό εργαλείο.**
Κρατήστε το καλώδιο μακριά από θερμότητα, λάδι, κοφτερές γωνίες και κινούμενα μέρη.
Τα κατεστραμμένα ή υπερδεδωμένα καλώδια αυξάνουν τον κίνδυνο ηλεκτροπληξίας.
- Όταν χρησιμοποιείτε το εργαλείο σε εξωτερικό χώρο, χρησιμοποιήστε καλώδιο προέκτασης που προορίζεται για χρήση σε εξωτερικό χώρο.**
Η χρήση ενός καλωδίου κατάλληλου για εξωτερικό χώρο μειώνει τον κίνδυνο ηλεκτροπληξίας.
- Αν είναι αναπόφευκτη η λειτουργία ενός ηλεκτρικού εργαλείου σε χώρο με υγρασία, χρησιμοποιείτε διάταξη προστασίας ρεύματος διαρροής (RCD).**
Η χρήση της RCD μειώνει τον κίνδυνο ηλεκτροπληξίας.

3) Προσωπική ασφάλεια

- Να είστε σε ετοιμότητα, να βλέπετε αυτό που κάνετε και να χρησιμοποιείτε την κοινή λογική όταν χρησιμοποιείτε ένα ηλεκτρικό εργαλείο.**

Μη χρησιμοποιείτε ηλεκτρικά εργαλεία όταν είστε κουρασμένοι ή υπό την επήρεια ναρκωτικών ουσιών, οινοπνεύματος ή φαρμάκων.

Μια στιγμή απροσεξίας κατά τη χρήση ενός ηλεκτρικού εργαλείου μπορεί να προκαλέσει σοβαρό προσωπικό τραυματισμό.

- Χρησιμοποιείτε προσωπικό προστατευτικό εξοπλισμό. Φοράτε πάντα προστασία για τα μάτια.**
Ο προστατευτικός εξοπλισμός, όπως μάσκα για τη σκόνη, αντιολισθητικά παπούτσια, σκληρό καπέλο ή προστασία για τα αυτιά, που χρησιμοποιείται για ανάλογες συνθήκες μπορεί να μειώσει τους τραυματισμούς.
 - Προλαμβάνετε τυχόν ακούσια εκκίνηση. Βεβαιωθείτε ότι ο διακόπτης είναι σε θέση απενεργοποίησης πριν συνδέσετε τη συσκευή με πηγή ρεύματος και/ή τη θήκη της μπαταρίας, πριν σηκώσετε ή μεταφέρετε το εργαλείο.**
Η μεταφορά ηλεκτρικού εργαλείου με τα δάχτυλά σας στο διακόπτη ή η ηλεκτροδότηση ηλεκτρικού εργαλείου με ενεργοποιημένο το διακόπτη μπορεί να προκαλέσουν ατυχήματα.
 - Να αφαιρείτε τυχόν κλειδιά ρυθμιζόμενου ανοίγματος ή τα απλά κλειδιά πριν θέσετε σε λειτουργία το ηλεκτρικό εργαλείο.**
Ένα από κλειδί ή ένα κλειδί ρυθμιζόμενου ανοίγματος που είναι προσαρτημένο σε περιστρεφόμενο εξάρτημα του ηλεκτρικού εργαλείου μπορεί να προκαλέσει προσωπικό τραυματισμό.
 - Μην τεντώνετε. Να διατηρείτε πάντοτε το κατάλληλο πάτημα και την ισορροπία σας.**
Με αυτόν τον τρόπο μπορείτε να ελέγχετε καλύτερα το ηλεκτρικό εργαλείο σε μη αναμενόμενες καταστάσεις.
 - Να είστε ντυμένοι κατάλληλα. Μη φοράτε φαρδιά ρούχα ή κοσμήματα. Να κρατάτε τα μαλλιά σας, τα ρούχα σας και τα γάντια σας μακριά από κινούμενα μέρη.**
Τα φαρδιά ρούχα, τα κοσμήματα και τα μακριά μαλλιά μπορεί να πιστούν σε κινούμενα μέρη.
 - Αν παρэхονται εξαρτήματα για τη σύνδεση συσκευών εξαγωγής και συλλογής σκόνης, να βεβαιώνετε ότι είναι συνδεδεμένα και χρησιμοποιούνται με το σωστό τρόπο.**
Η χρήση συλλέκτη σκόνης μειώνει τους κινδύνους που προέρχονται από τη σκόνη.
- 4) Χρήση και φροντίδα ηλεκτρικών εργαλείων
- Μην ασκείτε δύναμη στο ηλεκτρικό εργαλείο. Να χρησιμοποιείτε το ηλεκτρικό εργαλείο που είναι κατάλληλο για το είδος της εργασίας που εκτελείτε.**
Το κατάλληλο ηλεκτρικό εργαλείο θα εκτελέσει την εργασία καλύτερα και με μεγαλύτερη ασφάλεια με τον τρόπο που σχεδιάστηκε.
 - Μη χρησιμοποιήσετε το ηλεκτρικό εργαλείο αν ο διακόπτης λειτουργίας δεν ανοίγει και δεν κλείνει.**
Ένα ηλεκτρικό εργαλείο που δεν ελέγχεται από το διακόπτη λειτουργίας είναι επικίνδυνο και πρέπει να επισκευαστεί.
 - Αποσυνδέετε το ύψωμα από την πηγή ισχύος και/ή τη θήκη μπαταρίας από το ηλεκτρικό εργαλείο πριν προβείτε σε ρυθμίσεις, αλλαγή εξαρτήματος ή αποθήκευση του ηλεκτρικού εργαλείου.**
Αυτά τα προληπτικά μέτρα ασφαλείας μειώνουν τον κίνδυνο να ξεκινήσει το ηλεκτρικό εργαλείο κατά λάθος.
 - Αποθηκεύετε τα εργαλεία που δεν χρησιμοποιείτε μακριά από παιδιά και μην αφήνετε τα άτομα που δεν είναι εξοικειωμένα με το ηλεκτρικό εργαλείο ή με αυτές τις οδηγίες να χρησιμοποιούν το ηλεκτρικό εργαλείο.**
Τα ηλεκτρικά εργαλεία είναι επικίνδυνα στα χέρια μη εκπαιδευμένων ατόμων.

- e) Συντηρείτε τα ηλεκτρικά εργαλεία. Να ελέγχετε την ευθυγράμμιση τους ή το μπλοκάρισμα των κινούμενων μερών, τη θραύση των εξαρτημάτων και οποιαδήποτε άλλη κατάσταση που ενδέχεται να επηρεάσει τη λειτουργία του ηλεκτρικού εργαλείου.

Σε περίπτωση θλάξης, το ηλεκτρικό εργαλείο πρέπει να επισκευαστεί πριν χρησιμοποιηθεί.

Πολλά ατυχήματα προκαλούνται από ηλεκτρικά εργαλεία που δεν έχουν συντηρηθεί σωστά.

- f) Διατηρείτε τα εργαλεία κοπής καθαρά.

Τα κατάλληλα συντηρημένα εργαλεία κοπής με κοφτερές γωνίες μπλοκάρουν πιο δύσκολα και ελέγχονται πιο εύκολα.

- g) Χρησιμοποιείτε το ηλεκτρικό εργαλείο, τα εξαρτήματα και τα μέρη κ.τ.λ. σύμφωνα με τις παρούσες οδηγίες, λαμβάνοντας υπόψη τις συνθήκες εργασίας και την εργασία που θα εκτελέσετε.

Η χρήση του ηλεκτρικού εργαλείου για εργασίες πέρα από εκείνες για τις οποίες προορίζεται, ενδέχεται να δημιουργήσει κινδύνους.

5) Σέρβις

- a) **Να δίνετε το ηλεκτρικό εργαλείο για σέρβις σε κατάλληλα εκπαιδευμένα άτομα και να χρησιμοποιείτε μόνο γνήσια ανταλλακτικά.**

Με αυτόν τον τρόπο είστε σίγουροι για την ασφάλεια του ηλεκτρικού εργαλείου.

ΠΡΟΦΥΛΑΞΗ

Μακριά από τα παιδιά και τους αναπήρους.

Όταν δεν χρησιμοποιούνται, τα εργαλεία πρέπει να φυλάζονται μακριά από τα παιδιά και τους αναπήρους.

ΔΡΑΠΑΝΟ ΠΡΟΕΙΔΟΠΟΙΗΣΕΙΣ ΑΣΦΑΛΕΙΑΣ

- Φοράτε πάντα ωτοασπίδες κατά τη χρήση του δραπάνου.**
Έκθεση στον θόρυβο μπορεί να καλέσει απώλεια ακοής.
- Χρησιμοποιήστε τις βοηθητικές λαβές που επισυνάπτονται με τον εργαλεία.**
Απώλεια ελέγχου μπορεί να καλέσει τραυματισμό.
- Κρατήστε το δράπανο και τη πλευρική λαβή με ασφάλεια με τα δυο σας χέρια κατά τη χρήση.
- Μην φοράτε γάντια φτιαγμένα από υλικό που έχει την τάση να τυλίγεται όπως το βαμβάκι, το μαλλί, το ύφασμα ή ίνα κλπ.
- Πριν από το τρύπημα σε τοίχους, ταβάνια ή πατώματα, σιγουρευτείτε ότι δεν υπάρχουν ηλεκτρικά καλώδια ή κυκλώματα στο εσωτερικό.

ΤΕΧΝΙΚΑ ΧΑΡΑΚΤΗΡΙΣΤΙΚΑ

Μοντέλο		D10VF	D10VG	D13VF	D13VG	
Τάση (ανά περιοχές)*		(110V, 220V, 230V, 240V) ~				
Ισχύς εισόδου		710W*				
Ταχύτητα χωρίς φορτίο		0-3000min ⁻¹	0-1200min ⁻¹	0-850min ⁻¹	0-600min ⁻¹	
Ικανότητα σφικκτήρα δραπάνου		10 mm		13 mm		
Ικανότητα	Ατσάλι	Ελικοειδής Λεπίδα	10 mm	10 mm	13 mm	13 mm
		Πριονωτή Λάμα με Τρύπα	-	38 mm	51 mm	70 mm
	Ξύλο	Επίπεδη Λεπίδα Φτιαριού	25 mm	32 mm	40 mm	40 mm
		Τρυπανοειδής Λεπίδα	-	-	32 mm	38 mm
		Πριονωτή Λάμα με Τρύπα	29 mm	70 mm	102 mm	114 mm
Βάρος (χωρίς το καλώδιο)						
Ειδ. για σφικκτήρα χωρίς κλειδί		1,8 Kg	1,9 Kg	2,1 Kg	2,1 Kg	
Ειδ. για σφικκτήρα με κλειδί		1,8 Kg	1,9 Kg	2,0 Kg	2,0 Kg	

* Βεβαιωθείτε να ελέγξετε την πινακίδα στο προίον επειδή υπόκεινται σε αλλαγή σε εξάρτηση από την περιοχή.

(Ικανότητα με προσάρτηση εξαρτήματος Γωνίας (Προεραϊτικό εξάρτημα για D13VF και D13VG))

Μοντέλο		D13VF		D13VG		
Ταχύτητα γωνιακής μονάδας		ΧΑΜΗΛΗ (650min ⁻¹)	ΥΨΗΛΗ (1350min ⁻¹)	ΧΑΜΗΛΗ (400min ⁻¹)	ΥΨΗΛΗ (900min ⁻¹)	
Ικανότητα	Ατσάλι	Ελικοειδής Λεπίδα	13 mm	13 mm	13 mm	13 mm
		Πριονωτή Λάμα με Τρύπα	64 mm	32 mm	70 mm	51 mm
	Ξύλο	Επίπεδη Λεπίδα Φτιαριού	40 mm	32 mm	40 mm	40 mm
		Τρυπανοειδής Λεπίδα	38 mm	29 mm	38 mm	32 mm
		Πριονωτή Λάμα με Τρύπα	114 mm	64 mm	114 mm	102 mm

ΚΑΝΟΝΙΚΑ ΕΞΑΡΤΗΜΑΤΑ

(D10VF)

(1) Κλειδί σφιξίματος
(Ειδ. μόνο για σφιγκτήρα με κλειδί)..... 1

(D10VG και D13VF)

(1) Πλευρική λαβή..... 1

(2) Κλειδί σφιξίματος
(Ειδ. μόνο για σφιγκτήρα με κλειδί)..... 1

(D13VG)

(1) Πλευρική λαβή..... 1

(2) Ένωση λαβής..... 1

(3) Κλειδί σφιξίματος
(Ειδ. μόνο για σφιγκτήρα με κλειδί)..... 1

Τα κανονικά εξαρτήματα μπορούν να αλλάξουν χωρίς προειδοποίηση.

ΠΡΟΑΙΡΕΤΙΚΑ ΕΞΑΡΤΗΜΑΤΑ

(D10VF)

(1) Πλευρική λαβή.

(2) Γάτζος (A)

(D10VG)

(1) Γάτζος (A)

(D13VF και D13VG)

(1) Γάτζος (A)

(2) Προσάρτημα γωνίας
χωρίς προειδοποίηση.**ΕΦΑΡΜΟΓΕΣ**

○ Άνοιγμα τρυπών σε μέταλλο, ξύλο και πλαστικό.

ΠΡΙΝ ΤΗ ΛΕΙΤΟΥΡΓΙΑ**1. Πηγή ρεύματος**

Βεβαιωθείτε ότι η πηγή ρεύματος που πρόκειται να χρησιμοποιηθεί είναι εναρμονισμένη με τις απαιτήσεις σε ρεύμα που αναφέρεται στην πινακίδα του εργαλείου.

2. Διακόπτης ρεύματος

Βεβαιωθείτε ότι ο διακόπτης ρεύματος βρίσκεται στη θέση OFF. Αν το βίσμα είναι στη μπρίζα καθώς ο διακόπτης ρεύματος βρίσκεται στο ON, το εργαλείο θα αρχίσει να λειτουργεί αμέσως, με πιθανότητα πρόκλησης σοβαρού ατυχήματος.

3. Καλώδιο προέκτασης

Όταν ο χώρος εργασίας βρίσκεται μακριά από την παροχή ρεύματος. Χρησιμοποιήστε ένα καλώδιο προέκτασης με κατάλληλο πάχος και ικανότητα μεταφοράς ρεύματος. Το καλώδιο προέκτασης πρέπει να είναι τόσο κοντό όσο είναι πρακτικά δυνατό.

4. Επιλέξτε την κατάλληλη λεπίδα τρυπίματος

○ Όταν ανοίγετε τρύπες σε μέταλλο και πλαστικό. Χρησιμοποιήστε κοινές λεπίδες τρυπίματος για μέταλλο.

○ Όταν ανοίγετε τρύπες για ξύλο. Χρησιμοποιήστε κοινές λεπίδες τρυπίματος για ξύλο.

Όμως όταν ανοίγετε τρύπες των 6.5 χιλ ή μικρότερες, χρησιμοποιήστε μια λεπίδα τρυπίματος για εργασία σε μέταλλο.

5. Για στερέωση και θγάλισμο της λεπίδας**Για σφικτήρα με κλειδί (Εικ. 1)**

- 1) Ανοίξετε τις αρπάγες του σφιγκτήρα, και βάλτε μέσα τη λεπίδα στο σφιγκτήρα.
- 2) Τοποθετήστε το κλειδί του σφιγκτήρα μέσα σε κάθε μια από τις τρεις τρύπες του σφιγκτήρα και περιστρέψτε το προς τα δεξιά (όψη από την μπροστινή πλευρά). Σφίξτε με ασφάλεια.
- 3) Για να αφαιρέσετε τη λεπίδα, τοποθετήστε το κλειδί του σφιγκτήρα μέσα σε μια από τις τρύπες του σφικτήρα και περιστρέψτε το προς τα αριστερά.

Για σφικτήρες χωρίς κλειδί (Εικ. 2)

- 1) Ανοίξετε τις αρπάγες του σφιγκτήρα, και βάλτε μέσα τη λεπίδα στο σφιγκτήρα. Για να ανοίξετε τις αρπάγες του σφικτήρα, κρατήστε το δακτύλιο ενώ περιστρέφεται το συνδετικό δακτύλιο προς τα αριστερά (όψη από την μπροστινή πλευρά).
- 2) Πιάστε δυνατά το δακτύλιο και περιστρέψτε το συνδετικό δακτύλιο προς τα δεξιά. Σφίξτε με ασφάλεια.
- 3) Για να αφαιρέσετε την λεπίδα, πιάστε δυνατά το δακτύλιο και περιστρέψτε το συνδετικό δακτύλιο προς τα αριστερά.
- 4) Αν είναι δύσκολο να ξεσφίξετε το συνδετικό δακτύλιο, στερεώστε τον άξονα χρησιμοποιώντας ένα κλειδί, κρατήστε το συνδετικό δακτύλιο σταθερά, και περιστρέψτε το προς την διεύθυνση κατά την οποία ξεσφίγκει (αριστερά όταν βλέπετε από εμπρός) (Εικ. 3)

6. Εγκατάσταση της πλευρικής λαβής**Για D10VG και D13VF**

Μια πλευρική λαβή παρέχεται με το δράπανο. Μπορεί να εγκατασταθεί στη μια από τις δυο πλευρές για δεξιόχειρη ή αριστερόχειρη χρήση. Για να εγκαταστήσετε τη πλευρική λαβή περάστε την μέσα στην υποδοχή στην επιθυμητή πλευρά του εργαλείου και σφίξτε το με ασφάλεια (Εικ. 4).

Για D13VG

Η μεγάλη ροπή του μοτέρ σε αυτό το δράπανο μπορεί να προκαλέσει μεγάλη αντίδραση στα χέρια σας κατά την εργασία τρυπίματος. Ανάλογα, βεβαιωθείτε απόλυτα πριν την χρήση ότι η πλευρική λαβή και η ένωση της λαβής έχουν πλήρως εγκατασταθεί (Εικ. 5).

7. Ελέγξτε την περιστροφική διεύθυνση (Εικ. 6)

Η λεπίδα περιστρέφεται προς τα δεξιά (όψη από την πίσω πλευρά) πατώντας την R-πλευρά του κουμπιού. Η L-πλευρά του κουμπιού πατιέται για να περιστραφεί η λεπίδα προς τα αριστερά. (Τα σημάδια (L) και (R) παρέχονται πάνω στο σώμα.)

8. Σύνδεση του εξαρτήματος γωνίας. (Προαιρετικό εξάρτημα για τα D13VF και D13VG)

- 1) Αφαιρέστε το σφικτήρα από το δράπανο (Εικ. 7)
- Για να αφαιρέσετε το σφιγκτήρα από το δράπανο, ανοίξετε τις αρπάγες του σφιγκτήρα όσο είναι δυνατό περισσότερο και βγάλτε προς τα έξω την βίδα που κλειδώνει (αριστερόχειρο σπειρώμα). Αυτή η βίδα κλειδώνει το σφικτήρα στον άξονα. Και κρατήστε το δράπανο έτσι ώστε μόνο ο σφικτήρας να ακουμπάει καλά και εξισωμένα στην άκρη ενός σταθερού πάγκου. Τοποθετήστε το εξ. κλειδί μέσα

στο σφικτήρα. Περιστρέψτε το σφικτήρα μέχρι το κλειδί να είναι σε γωνία 30 ο με την επιφάνεια του πάγκου και χτυπήστε το κλειδί με δύναμη με ένα σφυρί έτσι ώστε ο σφικτήρας να περιστραφεί κατά την αριστερή μεριά (όψη από την μπροστινή μεριά). Αυτό θα χαλαρώσει τον σφικτήρα από τον άξονα ο οποίος έχει ένα δεξιόχειρο σπειρώμα και θα είστε σε θέση να αφαιρέσετε το σφικτήρα με το χέρι.

ΠΡΟΣΟΧΗ:

Αν ο σφικτήρας δεν μπορεί να αφαιρεθεί με το να χτυπήσετε το κλειδί, μην χτυπάτε το κλειδί με εξαιρετικά μεγάλη δύναμη και στείλτε το δράπανο σε ένα Εξουσιοδοτημένο Κέντρο Σέρβις της Hitachi.

- (2) Σύνδεση του εξαρτήματος της γωνίας γωνίας
 - Μετά την αφαίρεση του σφικτήρα, συνδέστε τη σύζευξη στον άξονα του δραπάνου. Προσαρμόστε το συνδεδεικό δακτύλιο στο κάλυμμα του οδοντωτού τροχού, συνδέστε το εξάρτημα της γωνία στο άλλο ακρο του συνδεδεικού δακτυλίου, και περιστρέψτε το εξάρτημα της γωνίας ελαφρά προς τη μία ή την άλλη διεύθυνση έτσι ώστε η εξ. τρύπα στη σύζευξη να συνδέει το εξ. τμήμα του άξονα της γωνίας. Προσαρμόστε τη διεύθυνση της γωνίας και σφίξτε το συνδεδεικό δακτύλιο με μπουλόνια σύζευξης. Σφίξτε με τη σειρά τα δυο μπουλόνια σύζευξης ισοδύναμα και σταδιακά με μια ροπή 70–80 kg-cm (μέγεθος δύναμης που μπορεί να ασκηθεί μόνο με τον καρπό με ένα κλειδί που παρέχεται για το σφίξιμο των μπουλονιών σύζευξης.). (Εικ. 8)
 - Για να λειτουργήσετε το εξάρτημα της γωνίας σε χαμηλή ταχύτητα, προσαρμόστε τον άξονα του εξαρτήματος της γωνία στην πλευρά με την ένδειξη “LOW” και στερεώστε την βίδα κλειδώματος. Σε αυτή τη ρύθμιση η ταχύτητα τρυπήματος έχει ελαττωθεί στο περίπου 70% και η ροπή τρυπήματος αυξηθεί στο 150%. (Εικ. 9)
 - Για να λειτουργήσετε το εξάρτημα της γωνίας σε υψηλή ταχύτητα, προσαρμόστε τον άξονα του εξαρτήματος της γωνίας στην πλευρά με την ένδειξη “HIGH” και στερεώστε την βίδα κλειδώματος. Σε αυτή τη ρύθμιση η ταχύτητα τρυπήματος έχει αυξηθεί στο περίπου 150% και η ροπή τρυπήματος ελαττωθεί στο 70%. (Εικ. 10)
- (3) Εγκατάσταση της πλευρικής λαβής (Εικ. 11)

Η πλευρική λαβή μπορεί να εγκατασταθεί στη μια από τις δυο πλευρές του εξαρτήματος της γωνίας για δεξιόχειρη ή αριστερόχειρη χρήση. Για να εγκαταστήσετε τη πλευρική λαβή περάστε την μέσα στην υποδοχή στην επιθυμητή πλευρά του εξαρτήματος της γωνίας και σφίξτε τη με ασφάλεια.
- (4) Αφαίρεση του σφικτήρα από το εξάρτημα της γωνίας (Εικ. 12)
 - Ο σφικτήρας μπορεί να αφαιρεθεί από το εξάρτημα της γωνία κατά τον ίδιο τρόπο με τον οποίο αφαιρέθηκε και από το δράπανο; όμως ΠΑΝΤΟΤΕ ΝΑ ΑΦΑΙΡΕΙΤΕ ΤΟ ΕΞΑΡΤΗΜΑ ΤΗΣ ΓΩΝΙΑΣ ΑΠΟ ΤΟ ΔΡΑΠΑΝΟ ΠΡΙΝ ΠΡΟΣΠΑΘΗΣΕΤΕ ΝΑ ΧΑΛΑΡΩΣΕΤΕ ΤΟ ΣΦΙΚΤΗΡΑ. Αυτό θα αποτρέψει τη πρόκληση ζημιάς στο σύστημα τροχών του δραπάνου. Χρησιμοποιήστε το παρεχόμενο κλειδί για να κρατήσετε τον άξονα του εξαρτήματος της γωνίας πριν προσπαθήσετε να χαλαρώσετε το σφικτήρα.

ΠΡΟΣΟΧΗ:

Αν ο σφικτήρας δεν μπορεί να αφαιρεθεί με το να χτυπήσετε το κλειδί, μην χτυπάτε το κλειδί με εξαιρετικά μεγάλη δύναμη και στείλτε το δράπανο σε ένα Εξουσιοδοτημένο Κέντρο Σέρβις της Hitachi.

9. **Γύνδεση του γάντζου (Προαιρετικό εξάρτημα) (Εικ. 13)**

Για να συνδέσετε το γάντζο είναι απαραίτητο να αποσυνδέσετε το τμήμα της λαβής που καλύπτει το ηλεκτρικό σύστημα του εργαλείου. Για τη συνεχιζόμενη δική σας ασφάλεια και την προστασία από την ηλεκτροπληξία η εγκατάσταση του αγκίστρου σε αυτό το δράπανο πρέπει να γίνει μονάχα από ένα Εξουσιοδοτημένο Κέντρο Σέρβις της Hitachi.

ΠΡΟΣΟΧΗ:

Όταν το ηλεκτρικό εργαλείο χρησιμοποιείται με το γάντζο στερεωμένο σε αυτό, δώστε προσοχή στα παρακάτω σημεία:

- Πριν κρεμάσετε την κύρια μονάδα από την ζώνη της μέσης σας, βεβαιωθείτε ότι το δράπανο έχει σταματήσει τελείως. Ενώ είναι κρεμασμένο από την ζώνη της μέσης σας, το βίσα παροχής ρεύματος πρέπει να είναι αποσυνδεδεμένο από την πηγή του ρεύματος.
- Μην περπατάτε με το ηλεκτρικό εργαλείο να κρέμεται από την ζώνη της μέσης σας.
- Στην περίπτωση λειτουργίας σε υψηλά μέρη, είναι επικίνδυνο να ριζετε κάτω το εργαλείο κατά λάθος. Αν ο γάντζος παραμορφωθεί ή κρεμαστεί από λανθασμένη θέση, υπάρχει κίνδυνος ο γάντζος θα γλιστρήσει και το εργαλείο να πέσει κάτω. Προσέχετε να αποφύγετε τον κίνδυνο.
- Κατά το άνοιγμα μιας τρύπας το ηλεκτρικό εργαλείο μπορεί φορές τραντάζεται με δύναμη όταν το αντικείμενο εργασίας τρυπηθεί, για παράδειγμα. Προσέχετε να μην τραυματιστείτε από τον γάντζο ακόμα και αν κάτι τέτοιο συμβεί.

ΠΩΣ ΝΑ ΤΟ ΧΡΗΣΙΜΟΠΟΙΗΣΕΤΕ

1. Λειτουργία διακόπτη

- Όταν η σκανδάλη είναι χαμηλωμένη, το εργαλείο περιστρέφεται.
- Όταν η σκανδάλη ελευθερωθεί το εργαλείο σταματά.
- Η ταχύτητα περιστροφής του δραπάνου μπορεί να ελεγχθεί από το κατά πόσο τραβιέται η σκανδάλη διακόπτης. Η ταχύτητα είναι χαμηλή όταν η σκανδάλη διακόπτης τραβηχθεί ελαφρά και αυξάνει καθώς η σκανδάλη διακόπτης τραβιέται περισσότερο.
- Το τράβηγμα της σκανδάλης και το σπρώξιμο του στόπερ, διατηρεί την κατάσταση λειτουργίας, η οποία είναι βολική για συνεχής λειτουργία. Κατά το σβήσιμο, το στόπερ μπορεί να αποσυνδεθεί τραβώντας τη σκανδάλη ξανά.

2. Τρύπημα

- Κατά το τρύπημα, αρχίστε να τρυπάτε αργά, και προοδευτικά αυξήστε την ταχύτητα καθώς τρυπάτε.
- Πάντοτε να εφαρμόζετε πίεση σε ευθεία γραμμή με την λεπίδα. Χρησιμοποιήστε αρκετή δύναμη για να συνεχίσετε να τρυπάτε, αλλά όμως μην σπρώξετε πάρα πολύ τόσο ώστε να μπλοκάρει το μοτέρ ή να αποκλίνει η λεπίδα.

- Για να ελαχιστοποιήσετε το μπλοκάρισμα ή να διαπεράσετε το υλικό, ελαττώστε την πίεση στο δρέπανο και στη λεπίδα κατά το τελευταίο τμήμα της τρύπας.
- Αν το δρέπανο μπλοκάρει, ελευθερώσετε τη σκανδάλη αμέσως, αφαιρέστε τη λεπίδα από το αντικείμενο εργασίας και ξεκινήστε ξανά. Μην ενεργοποιείτε και απενεργοποιείτε τη σκανδάλη σε μια προσπάθεια να ξεκινήσετε ένα μπλοκαρισμένο δρέπανο.
- Όσο μεγαλύτερη είναι η διάμετρος της λεπίδας του δραπάνου, τόσο μεγαλύτερη είναι και η δύναμη αντίδρασης πάνω στο χάρι σας. Προσέξτε να μην χάσετε τον έλεγχο του δραπάνου εξαιτίας αυτής της δύναμης αντίδρασης. Για να κρατήσετε τον απόλυτο έλεγχο, διατηρείτε ένα καλό πάτημα, χρησιμοποιήστε την πλευρική λαβή, κρατήστε το δρέπανο σφικτά με τα δυο χέρια και βεβαιωθείτε ότι το δρέπανο είναι κάθετο ως προς το υλικό το οποίο πρόκειται να τρυπηθεί.

ΣΥΝΤΗΡΗΣΗ ΚΑΙ ΕΛΕΓΧΟΣ

1. Έλεγχος των λεπίδων του δραπάνου

Επειδή η χρήση των φθαρμένων λεπίδων θα προκαλέσει την δυσλειτουργία του μοτέρ και την μειωμένη αποδοτικότητα, αντικαταστήστε τις λεπίδες του δραπάνου με καινούργιες ή ακονίστε τις χωρίς καθυστέρηση όταν παρατηρηθεί η φθορά.

2. Έλεγχος των βιδών στερέωσης

Ελέγχετε περιοδικά όλες τις βίδες στερέωσης και βεβαιωθείτε ότι είναι κατάλληλα σφιγμένες. Στην περίπτωση που χαλαρώσει οποιαδήποτε βίδα σφίξτε την ξανά αμέσως. Αν δεν το κάνετε αυτό μπορεί να έχει ως αποτέλεσμα το σοβαρό τραυματισμό.

3. Συντήρηση του μοτέρ

Η περιέλιξη της μονάδα του μοτέρ είναι η καρδιά του ηλεκτρικού εργαλείου. Δώστε μεγάλη προσοχή για να σιγουρευτείτε ότι η περιέλιξη δεν θα πάθει ζημιά και / ή θα βρεχθεί με λάδι ή νερό.

4. Έλεγχος στα καρβουνάκια

Για την συνεχιζόμενη ασφάλεια σας και την προστασία σας από την ηλεκτροπληξία, ο έλεγχος στα καρβουνάκια και η αντικατάσταση αυτού του εργαλείου πρέπει ΜΟΝΟ να γίνεται από ένα Εξουσιοδοτημένο Κέντρο Σέρβις της Hitachi.

5. Λίστα συντήρησης των μερών

- A: Αρ. Αντικειμένου
- B: Αρ. Κωδικού
- C: Αρ. που χρησιμοποιήθηκε
- D: Παρατηρήσεις

ΠΡΟΣΟΧΗ

Η επισκευή, η τροποποίηση και ο έλεγχος των Ηλεκτρικών Εργαλείων Hitachi πρέπει να γίνεται από ένα Εξουσιοδοτημένο Κέντρο Σέρβις της Hitachi.

Αυτή η Λίστα των Μερών θα είναι χρήσιμη αν παρουσιαστεί μαζί με το εργαλείο στο Εξουσιοδοτημένο Κέντρο Σέρβις της Hitachi όταν ζητάτε επισκευή ή κάποια άλλη συντήρηση. Κατά τον έλεγχο και τη συντήρηση των ηλεκτρικών εργαλείων, οι κανόνες ασφαλείας και οι κανονισμοί που υπάρχουν σε κάθε χώρα πρέπει να ακολουθούνται.

ΤΡΟΠΟΠΟΙΗΣΗ

Τα Ηλεκτρικά Εργαλεία Hitachi βελτιώνονται συνεχώς και τροποποιούνται για να συμπεριλάβουν τις τελευταίες τεχνολογικές προόδους. Κατά συνέπεια, ορισμένα τμήματα (δηλ. κωδικοί αριθμοί και / ή σχεδιασμός) μπορούν να αλλάξουν χωρίς προηγούμενη ειδοποίηση.

ΕΓΓΥΗΣΗ

Εγγυώμαστε τα εργαλεία Hitachi Power Tools σύμφωνα με τη νομοθεσία και τους κανονισμούς ανά χώρα. Η παρούσα εγγύηση δεν καλύπτει ελαττώματα ή ζημιές λόγω κακής χρήσης, κακοποίησης ή φυσιολογικής φθοράς. Σε περίπτωση παραπόνων παρακαλούμε αποστείλετε το Power Tool χωρίς να το αποσυναρμολογήσετε μαζί με το ΠΙΣΤΟΠΟΙΗΤΙΚΟ ΕΓΓΥΗΣΗΣ το οποίο βρίσκεται στο τέλος των οδηγιών αυτών, σε Εξουσιοδοτημένο Κέντρο Επισκευής της Hitachi.

ΣΗΜΕΙΩΣΗ

Εξαιτίας του συνεχιζόμενου προγράμματος έρευνας και ανάπτυξης της Hitachi τα τεχνικά χαρακτηριστικά που εδώ αναφέρονται μπορούν να αλλάξουν χωρίς προηγούμενη ειδοποίηση.

Πληροφορίες που αφορούν τον εκπεμπόμενο θόρυβο και τη δόνηση.

Οι τιμές μετρήθηκαν σύμφωνα με το EN60745 και βρέθηκαν σύμφωνες με το ISO 4871.

[D13VG]

Μετρηθείσα τυπική στάθμη ηχητικής πίεσης A: 84 dB (A)
Αβεβαιότητα ΚρA: 3 dB (A)

Φοράτε προστατευτικά αυτιών.

Μια τυπική τιμή ρίζας μέσης τετραγωνικής επιτάχυνσης: 2,5 m/s².

OGÓLNE WSKAZÓWKI BEZPIECZEŃSTWA DOTYCZĄCE URZĄDZEŃ ELEKTRYCZNYCH

⚠ OSTRZEŻENIE

Należy dokładnie zapoznać się ze wszystkimi ostrzeżeniami i wskazówkami bezpieczeństwa.

Nieprzestrzeżenie ostrzeżeń oraz wskazówek bezpieczeństwa może spowodować porażenie prądem elektrycznym, pożar i/lub odniesienie poważnych obrażeń.

Ostrzeżenia i wskazówki bezpieczeństwa powinny być przechowywane do użycia w przyszłości.

Wykorzystywane w treści wskazówek wyrażenie "narzędzie elektryczne" dotyczy narzędzi zasilanych z sieci (przewodowych) lub z baterii (beprzewodowych).

1) Bezpieczeństwo stanowiska pracy

a) Miejsce pracy powinno być czyste i dobrze oświetlone.

Brak porządku lub nieodpowiednie oświetlenie miejsca pracy może być przyczyną wypadku.

b) Nie należy używać narzędzi elektrycznych w miejscach zagrożonych wybuchem, na przykład w pobliżu łatwopalnych cieczy, gazów lub pyłów.

Pracujące narzędzie elektryczne wytwarza iskry grożące wybuchem.

c) Dzieci oraz osoby postronne powinny pozostawać w bezpiecznej odległości od pracującego urządzenia.

Dekoncentracja może spowodować utratę kontroli nad urządzeniem.

2) Bezpieczeństwo elektryczne

a) Wtyczka narzędzia musi pasować do gniazda zasilania.

Nie wolno przerabiać wtyczki.

Narzędzia posiadające uzziemienie nie powinny być używane z wtyczkami przejściowymi.

Przestrzeżenie powyższych zaleceń dotyczących wtyczek i gniazdek pozwoli zmniejszyć ryzyko porażenia prądem elektrycznym.

b) Należy unikać dotykuania jakichkolwiek powierzchni i elementów uzziemionych, takich jak rury, grzejniki, kuchenki lub urządzenia chłodnicze.

Ryzyko porażenia prądem elektrycznym jest wyższe, gdy ciało jest uzziemione.

c) Nie należy narażać narzędzi elektrycznych na działanie deszczu lub wilgoci.

Obecność wody zwiększa niebezpieczeństwo porażenia prądem elektrycznym.

d) Nie należy używać przewodu zasilającego w sposób niezgodny z przeznaczeniem. Nie wolno używać przewodu do przenoszenia lub ciągnięcia urządzenia bądź wyłączania go z prądu.

Przewód powinien znajdować się w bezpiecznej odległości od źródeł ciepła, oleju, ostrych krawędzi lub poruszających się części.

Uszkodzenie lub zapętlenie przewodu zwiększa ryzyko porażenia prądem elektrycznym.

e) W przypadku używania narzędzia elektrycznego na wolnym powietrzu należy korzystać z przedłużaczy przeznaczonych do takiego zastosowania.

Używanie odpowiednich przedłużaczy zmniejsza ryzyko porażenia prądem elektrycznym.

f) W przypadku korzystania z narzędzia w miejscu o dużej wilgotności należy zawsze używać wyłącznika różnicowoprądowego.

Korzystanie z takiego wyłącznika zmniejsza ryzyko porażenia prądem elektrycznym.

3) Bezpieczeństwo osobiste

a) Podczas korzystania z narzędzia elektrycznego należy zawsze koncentrować się na wykonywanej pracy i postępować zgodnie z zasadami zdrowego rozsądku.

Narzędzia elektryczne nie powinny być obsługiwane przez osoby zmęczone lub znajdujące się pod wpływem substancji odurzających, alkoholu bądź leków.

Chwila nieuwagi podczas obsługi narzędzia elektrycznego może spowodować odniesienie poważnych obrażeń.

b) Zawsze używać odpowiedniego osobistego wyposażenia ochronnego. Zawsze nosić odpowiednie okulary ochronne.

Stosowane w odpowiednich warunkach wyposażenie zabezpieczające, takie jak maska przeciwpyłowa, obuwie antypoślizgowe, kask lub naszniki zmniejsza ryzyko odniesienia obrażeń ciała.

c) Uniemożliwić nieoczekiwane uruchomienie narzędzia. Przed podłączeniem narzędzia do gniazda zasilania i/lub zestawu baterii, a także przed podniesieniem lub przeniesieniem go, należy upewnić się, że wyłącznik znajduje się w położeniu wyłączenia.

Ze względów bezpieczeństwa nie należy przenosić narzędzi elektrycznych, trzymając palec na wyłączniku, ani podłączając do zasilania urządzeń, których wyłącznik znajduje się w położeniu włączenia.

d) Przed włączeniem usunąć wszystkie klucze regulacyjne.

Pozostawienie klucza regulacyjnego połączonego z częścią obrotową narzędzia może spowodować odniesienie obrażeń.

e) Nie sięgać zbyt daleko. Należy zawsze stać stabilnie, zachowując równowagę.

Zapewnia to lepsze panowanie nad narzędziem w nieoczekiwanych sytuacjach.

f) Należy nosić odpowiednią odzież roboczą. Nie nosić luźnych ubrań lub biżuterii. Trzymać włosy, odzież i rękawice w bezpiecznej odległości od ruchomych części urządzenia.

Luźne ubrania, biżuteria lub długie włosy mogą zostać wciągnięte przez ruchome części narzędzia.

g) Jeżeli wraz z narzędziem dostarczone zostało wyposażenie służące do odprowadzania pyłów, należy pamiętać o jego właściwym podłączeniu i używaniu.

Właściwe zbieranie i odprowadzanie pyłu zmniejsza zagrożenia związane z jego obecnością.

4) Obsługa i konserwacja narzędzi elektrycznych

a) Nie używać narzędzia elektrycznego ze zbyt dużą siłą. Należy stosować narzędzie odpowiednie dla wykonywanej pracy.

Narzędzie przeznaczone do określonej pracy wykona ją lepiej i w sposób bardziej bezpieczny, pracując z zalecaną prędkością.

b) Nie należy używać narzędzia, którego wyłącznik jest uszkodzony.

Każde urządzenie, które nie może być właściwie włączane i wyłączane, stanowi zagrożenie i musi zostać naprawione.

c) Należy zawsze odłączyć urządzenie z sieci zasilania i/lub baterii przed przystąpieniem do jakichkolwiek modyfikacji, wymiany akcesoriów itp. oraz kiedy urządzenie nie będzie używane przez dłuższy czas.

Powyższe środki mają na celu wyeliminowanie ryzyka nieoczekiwanego uruchomienia urządzenia.

d) Nieużywane narzędzia elektryczne powinny być przechowywane w miejscu niedostępnym dla dzieci oraz osób, które nie znają zasad ich obsługi lub niniejszych zaleceń.

Korzystanie z narzędzi elektrycznych przez osoby, które nie zostały przeszkolone, może stanowić zagrożenie.

e) Należy dbać o odpowiednią konserwację narzędzi elektrycznych. Przed rozpoczęciem pracy należy sprawdzić, czy ruchome części urządzenia nie są wygięte, uszkodzone lub pęknięte i czy nie występują jakiegokolwiek inne okoliczności, które mogłyby uniemożliwić bezpieczną pracę urządzenia.

W razie uszkodzenia przed kolejnym użyciem narzędzie musi zostać naprawione.

Wiele wypadków następuje z powodu nieprawidłowej konserwacji narzędzi elektrycznych.

- f) **Narzędzia tnące powinny być zawsze ostre i czyste.**
Narzędzia tnące powinny być utrzymywane w odpowiednim stanie, a ich krawędzie muszą być odpowiednio ostre - zmniejsza to ryzyko wygięcia i ułatwia obsługę narzędzia.
- g) **Należy zawsze obsługiwać narzędzie, jego akcesoria takie jak wiertła itp. w sposób zgodny z zaleceniami niniejszej instrukcji, biorąc pod uwagę warunki robocze oraz rodzaj wykonywanej pracy.**
Używanie narzędzia do celów niezgodnych z jego przeznaczeniem może spowodować niebezpieczeństwo.

5) Serwis

- a) **Narzędzia elektryczne mogą być naprawiane wyłącznie przez uprawnionych techników serwisowych, przy zastosowaniu oryginalnych części zamiennych.**
Zapewnia to utrzymanie bezpieczeństwa obsługi urządzenia.

UWAGA

Dzieci i osoby niepełnosprawne muszą pozostawać w bezpiecznej odległości od narzędzia.

Nie używane narzędzia elektryczne powinny być przechowywane w miejscu niedostępnym dla dzieci i osób niepełnosprawnych.

DANE TECHNICZNE

Model		D10VF	D10VG	D13VF	D13VG	
Napięcie (w zależności od miejsca)*		(110V, 220V, 230V, 240V) √				
Moc pobierana		710W*				
Prędkość obrotowa bez obciążenia		0–3,000min ⁻¹	0–1,200min ⁻¹	0–850min ⁻¹	0–600min ⁻¹	
Wydajność uchwytu wiertarskiego		10 mm		13 mm		
Możliwości	Stal	Wiertło śrubowe	10 mm	10 mm	13 mm	13 mm
		Piła walcowa	–	38 mm	51 mm	70 mm
	Drewno	Wiertło płaskie	25 mm	32 mm	40 mm	40 mm
		Wiertło kręte do drewna	–	–	32 mm	38 mm
		Piła walcowa	29 mm	70 mm	102 mm	114 mm
Waga (bez kabla)						
Spec. dla uchwytu z kluczem		1,8 kg	1,9 kg	2,1 kg	2,1 kg	
Spec. dla uchwytu bez klucza		1,8 kg	1,9 kg	2,0 kg	2,0 kg	

* Sprawdź nazwę produktu, jako że ulega ona zmianie w zależności od miejsca zakupu.

(Wydajność z modułem kątowym (Wyposażenie dodatkowe do modelu D13VF i D13VG))

Model		D13VF		D13VG		
Prędkość modułu kąтового		NISKA(650min ⁻¹)	WYSOKA(1350min ⁻¹)	NISKA(400min ⁻¹)	WYSOKA(900min ⁻¹)	
Możliwości	Stal	Wiertło śrubowe	13 mm	13 mm	13 mm	13 mm
		Piła walcowa	64 mm	32 mm	70 mm	51 mm
	Drewno	Wiertło płaskie	40 mm	32 mm	40 mm	40 mm
		Wiertło kręte do drewna	38 mm	29 mm	38 mm	32 mm
		Piła walcowa	114 mm	64 mm	114 mm	102 mm

WYPOSAŻENIE STANDARDOWE

- <D10VF>
 (1) Klucz uchwyty (Spec. tylko dla uchwyty z kluczem)..... 1
 <D10VG and D13VF>
 (1) Boczny uchwyty..... 1
 (2) Klucz uchwyty (Spec. tylko dla uchwyty z kluczem)..... 1
 <D13VG>
 (1) Boczny uchwyty..... 1
 (2) Złącze uchwyty 1
 (3) Klucz uchwyty (Spec. tylko dla uchwyty z kluczem)..... 1
 Wyposażenie standardowe może ulec zmianie bez uprzedzenia.

MOŻLIWE WYPOSAŻENIE DODATKOWE (sprzedawane oddzielnie)

- <D10VF>
 (1) Boczny uchwyty
 (2) Haczyk (A)
 <D10VG>
 (1) Haczyk (A)
 <D13VF and D13VG>
 (1) Haczyk (A)
 (2) Moduł kątowy
 Dodatkowe akcesoria mogą ulec zmianie bez uprzedzenia.

ZASTOSOWANIE

- Wiercenie otworów w metalu, drewnie i plastyku.

PRZED UŻYCIEM

1. Źródło mocy

Upewnij się, że źródło mocy jest zgodne z wymogami mocy zaznaczonymi przy nazwie produktu.

2. Przełącznik

Upewnij się, że przełącznik jest wyłączony (pozycja OFF). Jeśli wtyczka jest włączona do prądu podczas gdy przełącznik jest włączony (pozycja ON), narzędzie zacznie działać natychmiast, co może spowodować poważny wypadek.

3. Przedłużacz

Kiedy miejsce pracy znajduje się daleko od źródła prądu, użyj przedłużacza o wystarczającym przekroju. Przedłużacz powinien być tak krótki jak tylko jest to możliwe.

4. Wybór odpowiedniego wiertła:

- Do wiercenia w metalu lub plastyku
 Używaj normalnych wiertel do metalu.
 ○ Do wiercenia w drewnie
 Używaj normalnych wiertel do drewna.
 Przy wierceniu otworów mniejszych niż 6,5 mm używaj jednak wiertel do metalu.

5. Mocowanie i wyjmowanie wiertła

Uchwyt z kluczem (Rys. 1)

- (1) Otwórz szczęki uchwyty i włóż wiertło do uchwyty.
 (2) Włóż klucz uchwyty do każdego z trzech otworów uchwyty i obracając kluczem zgodnie z ruchem wskazówek zegara (patrzac od przodu) zamocuj wiertło.
 (3) By wyjąć wiertło, włóż klucz do jednego z otworów w uchwycie i obróć klucz w kierunku przeciwnym do ruchu wskazówek zegara.

Uchwyt bez klucza (Rys. 2)

- (1) Otwórz szczęki uchwyty i włóż wiertło do uchwyty. Aby otworzyć szczęki uchwyty, schwyć pierścien i obracaj tuleję w kierunku przeciwnym do ruchu wskazówek zegara (patrzac z przodu).
 (2) Mocno schwyć pierścien i obracaj tuleję w kierunku zgodnym z ruchem wskazówek zegara. Zaciśnij uchwyty.
 (3) Aby wyjąć wiertło, mocno schwyć pierścien i obróć tuleję w kierunku przeciwnym do ruchu wskazówek zegara.
 (4) Kiedy poluzowanie tulei sprawia trudności, zablokuj trzpień obrotowy przy pomocy klucza płaskiego, mocno schwyć tuleję i obróć ją tak, by ją poluzować (w kierunku przeciwnym do ruchu wskazówek zegara patrzac od przodu). (Rys. 3)

6. Mocowanie uchwyty bocznego

W modelach D10VG i D13VF

Uchwyt boczny jest częścią wyposażenia wiertarki. Uchwyt można montować po obu stronach urządzenia, odpowiednio dla osób praworęcznych i leworęcznych. Aby zamocować uchwyty boczny, wkręć go w otwór mocujący po wybranej stronie urządzenia i mocno zaciśnij. (Rys. 4)

D13VG

Wysoki moment obrotowy silnika tej wiertarki może spowodować wyraźne drganie rąk i ramion podczas wiercenia. Dlatego, przed użyciem urządzenia należy upewnić się, że uchwyty boczny i złącze uchwyty są prawidłowo zamocowane. (Rys. 5)

7. Sprawdzanie kierunku obrotów (Rys. 6)

Wiertło obraca się w kierunku zgodnym z ruchem wskazówek zegara (patrzac od tyłu) po wciśnięciu przycisku ze strony oznaczonej literą R. Wciśnięcie przycisku ze strony oznaczonej literą L służy do włączania obrotów w kierunku przeciwnym do ruchu wskazówek zegara.

(Litere L) i (R) są umieszczone na obudowie narzędzia.)

8. Mocowanie modułu kąowego. (Dodatkowe wyposażenie dla modeli D13VF i D13VG)

- (1) Odkręcanie uchwyty wiertarki (Rys. 7)
 ○ Aby zdemontować uchwyty wiertarki, otwórz szczęki uchwyty tak mocno, jak to możliwe i odkręć śrubę mocującą (z gwintem lewostronnym). Śruba ta mocuje uchwyty do trzpienia obrotowego. Trzymaj wiertarkę tak, aby jedynie uchwyty wiertarki leżał bezpiecznie na krawędzi stołu warsztatowego. W uchwycie zamocuj klucz do wkrętów z gniazdem sześciokątnym. Obracaj uchwyty do chwili, gdy klucz znajdzie się pod kątem ok. 30° względem powierzchni stołu. Silnym uderzeniem młotka w klucz obróć uchwyty w kierunku przeciwnym do ruchu wskazówek zegara (patrzac od przodu). Uderzenie powinno poluzować zacisk uchwyty na trzpieniu obrotowym wyposażonym w gwint prawostronny. Teraz można ręcznie odkręcić uchwyty.

UWAGA:

Jeśli uderzenie młotkiem nie poluzuje uchwyty, nie odkracaj uchwyty „na siłę” lecz odeślij wiertarkę do Autoryzowanego Centrum Obsługi Hitachi.

- (2) Mocowanie modułu kąowego.
 ○ Po odkręceniu uchwyty, podłącz sprężło do trzpienia obrotowego wiertarki. Włóż tuleję mocującą do obudowy przekładni, zamocuj moduł kąowy do drugiego końca tulei i przekręć moduł w dowolnym kierunku tak, aby

otwór sześciokątny w sprzędle zaszedł na sześciokątną część trzpienia obrotowego modułu kąтового. Wyreguluj położenie modułu kąтового i dociśnij tuleję mocującą za pomocą sworzni mocujących. Stopniowo i równomiernie dokręcaj oba sworznie przy użyciu momentu obrotowego 70–80 kg/cm (jest to siła, którą można uzyskać posługując się jedynie ręką i kluczem płaskim dołączonym w wyposażeniu wiertarki i przeznaczonym do dociskania sworzni). **(Rys. 8)**

- Aby używać modułu kąтового przy niskiej prędkości, należy zamontować uchwyt na trzpieniu obrotowym modułu kąтового po stronie oznaczonej symbolem „LOW” i dokręcić śrubę mocującą. Przy takim ustawieniu, prędkość wiercenia zmniejsza się do ok. 70% a moment obrotowy wiercenia zwiększa się do ok. 150%. **(Rys. 9)**
- Aby używać modułu przy dużej prędkości, należy zamontować uchwyt do trzpienia obrotowego modułu kąтового po stronie oznaczonej „HIGH” i dokręcić śrubę mocującą. Przy takim ustawieniu prędkość wiercenia wzrasta do ok. 150% a moment obrotowy spada do ok. 70%. **(Rys. 10)**
- (3) Mocowanie uchwytu bocznego **(Rys. 11)**
Uchwyt boczny można montować po obu stronach modułu kąтового, odpowiednio dla osób praworęcznych i leworęcznych. Aby zamocować uchwyt boczny, wkręć go w otwór mocujący po wybranej stronie modułu kąтового i mocno dociśnij.
- (4) Odkręcanie uchwytu od modułu kąтового **(Rys. 12)**
○ Uchwyt odkręca się od modułu kąтового w taki sam sposób jak od wiertarki, jednak PRZED PRZYSTĄPIENIEM DO LUZOWANIA UCHWYTU NAJPIERW ODKRĘĆ MODUŁ KĄTOWY OD WIERTARKI. Zapobiegnie to uszkodzeniu przekładni wiertarki. Przed poluzowaniem uchwytu zablokuj trzpień obrotowy modułu kąтового za pomocą płaskiego klucza znajdującego się w wyposażeniu wiertarki.

UWAGA:

Jeśli uderzenie młotkiem w klucz nie poluzuje uchwytu, nie odkręcaj uchwytu „na siłę” lecz odeślij wiertarkę do Autoryzowanego Centrum Obsługi Hitachi.

9. Mocowanie haczyka. (Wyposażenie dodatkowe) **(Rys. 13)**

Przed zamontowaniem haczyka należy zdemontować tę część uchwytu, która przykrywa system elektryczny urządzenia. Ze względów bezpieczeństwa i ochrony przed porażeniem prądem elektrycznym, montowanie haczyka w tej wiertarce należy zlecać JEDYNIEM Autoryzowanemu Centrum Obsługi Hitachi.

UWAGA:

Przy używaniu wiertarki z zainstalowanym haczykiem należy przestrzegać następujących zasad:

- Przed zawieszeniem głównego urządzenia na pasie narzędziowym należy upewnić się, że wiertło jest absolutnie nieruchome.
Przed zawieszeniem urządzenia na pasie narzędziowym, wiertarkę należy odłączyć od źródła zasilania.
- Poruszanie się po terenie z wiertarką zawieszoną na pasie narzędziowym jest zabronione.
- W przypadku pracy na wysokości istnieje niebezpieczeństwo przypadkowego upuszczenia urządzenia. Jeśli haczyk jest zdeformowany lub zawieszony w niewłaściwej pozycji zachodzi niebezpieczeństwo ześlizgnięcia się haka i upadku urządzenia.
Pamiętaj, aby unikać niebezpiecznych sytuacji.

- Przy wierceniu otworów przelotowych wiertarka często ulega silnym wstrząsoms, na przykład wtedy, gdy wiertło przebija się przez wierconą powierzchnię. W takich sytuacjach należy szczególnie uważać na to, by nie zranić się haczykiem.

JAK UŻYWAĆ WIERTARKI

1. Włączanie

- Gdy spust jest wciśnięty, urządzenie pracuje.
Gdy spust zostanie zwolniony, urządzenie się zatrzymuje.
- Prędkością obrotową wiertła można sterować różniąc stopień wciśnięcia spustu. Prędkość jest mniejsza, gdy spust jest wciśnięty tylko trochę i wzrasta przy dalszym jego wciskaniu.
- Wciśnięcie zatyczki po wciśnięciu spustu włącza narzędzie w tryb pracy, co jest przydatne przy pracy ciągłej. Przy wyłączeniu wiertarki zatyczkę wyłącza się ponownie wciskając spust.

2. Wiercenie

- Podczas wiercenia uruchamiaj narzędzie powoli i stopniowo zwiększaj prędkość obrotów.
- Wiertarkę dociskaj zawsze w kierunku wyznaczonym przez os wiertła. Dociskaj narzędzie tylko na tyle, by końcówka wiertła mogła pobierać nowy materiał, nie dociskaj wiertarki zbyt mocno – możesz przeciążyć silnik i zatrzymać go lub wygiąć wiertło.
- By zminimalizować ryzyko unieruchomienia wiertła w otworze i gwałtownego przebiccia się przez wiercony materiał pod koniec wiercenia otworu zmniejsz nacisk i pozwól, by wiertło popracowało pod mniejszym obciążeniem.
- Jeżeli wiertło utknie w otworze, natychmiast zwolnij spust i wyjmij wiertło z otworu – dopiero wtedy możesz ponownie uruchomić narzędzie i powrócić do wiercenia. Nie próbuj uruchamiać zablokowanej wiertarki wielokrotnie wciskając i zwalnając spust. Może to doprowadzić do jej uszkodzenia.
- Im większa średnica wiertła, z tym większą siłą wiertarka napiera na Twoje ramię.
Używaj więc wiertarki ostrożnie, by nie ulec sile tej reakcji i nie utracić nad nią kontroli.
- By zachować pełnię kontroli nad wiertarką podczas pracy należy pewnie stać na ziemi, używać uchwytu bocznego, trzymać narzędzie mocno obiema rękami i upewnić się, że wiertło jest prostopadłe do powierzchni nawiercanego materiału.

KONSERWACJA I INSPEKCJA

1. Kontrola wiertel

Jako, że używanie tępych wiertel powoduje niewłaściwą pracę silnika i zmniejsza wydajność wiertarki, jeśli zauważysz, że wiertło się stępilo niezwłocznie wymień je na nowe lub naostrz.

2. Sprawdzanie śrub mocujących

Regularnie sprawdzaj wszystkie mocujące śruby i upewnij się, że są mocno przykręcone. Jeśli któraś z nich się obluźuje, natychmiast ją przykręć. Zaniedbanie tego może spowodować poważne zagrożenie.

3. Konserwacja silnika

Wirmik silnika jest sercem narzędzia. Zadbaj, by wirnik nie został uszkodzony i nie zawilgotniał lub pokrył się olejem.

4. Kontrola szczoteczek węglowych

By praca z narzędziem zawsze była bezpieczna i aby uniknąć ryzyka porażenia prądem, węglowe szczoteczki tego narzędzia powinny być sprawdzane i wymieniane TYLKO przez Autoryzowane Centrum Obsługi Hitachi.

5. Lista części zamiennych

- A: Nr części
- B: Nr kodu
- C: Ilość użytych części
- D: Uwagi

UWAGA

Naprawy, modyfikacji i kontroli Narzędzi Elektrycznych Hitachi może dokonywać tylko Autoryzowane Centrum Obsługi Hitachi.

Ta lista części będzie przydatna, jeśli zostanie wręczona Autoryzowanemu Centrum Obsługi Hitachi, gdy zaniesiemy narzędzie do naprawy lub przeglądu.

Podczas używania i konserwacji narzędzi elektrycznych należy przestrzegać przepisów i norm bezpieczeństwa danego kraju.

MODYFIKACJE

Narzędzia elektryczne Hitachi są ciągle ulepszone i modyfikowane w celu wprowadzania najnowszych osiągnięć nauki i techniki

W związku z tym pewne części (a także numery kodów i konstrukcja) mogą ulec zmianom bez uprzedzenia.

GWARANCJA

Gwarancja na elektronarzędzia Hitachi jest udzielana z uwzględnieniem praw statutowych i przepisów krajowych. Gwarancja nie obejmuje wad i uszkodzeń powstałych w wyniku niewłaściwego użytkowania lub wynikających z normalnego zużycia. W wypadku reklamacji należy dostarczyć kompletne elektronarzędzie do autoryzowanego centrum serwisowego Hitachi wraz z KARTĄ GWARANCYJNĄ znajdującą się na końcu instrukcji obsługi.

WSKAZÓWKA

W związku z prowadzonym przez Hitachi programem badań i rozwoju, specyfikacje te mogą się zmienić w każdej chwili bez uprzedzenia.

Informacja dotycząca poziomu hałasu i wibracji

Mierzone wartości były określone według EN60745 i zadeklarowane zgodnie z ISO 4871.

[D13VG]

Zmierzone ciśnienie akustyczne A: 84 dB (A)

Niepewność KpA: 3 dB (A)

Używaj ochraniacza uszu.

Typowa wartość skuteczna przyspieszenia wynosi:
2,5 m/s².

SZERSZÁMGÉPEKRE VONATKOZÓ ÁLTALÁNOS BIZTONSÁGI FIGYELMEZTETÉSEK

⚠ FIGYELEM

Olvasson el minden biztonsági figyelmeztetést és minden utasítást.

A figyelmeztetések és utasítások be nem tartása áramütést, tüzet és/vagy súlyos sérülést eredményezhet.

Őrizzen meg minden figyelmeztetést és utasítást a jövőbeni hivatkozás érdekében.

A "szerszám gép" kifejezés a figyelmeztetéseken a hálózatról működő (vezetékes) vagy akkumulátorról működő (vezeték nélküli) szerszám gépre vonatkozik.

1) Munkaterületi biztonság

- Tartsa a munkaterületet tisztán és jól megvilágítva.**
A telezsúfolt vagy sötét területek vonzzák a baleseteket.
- Ne üzemeltesse a szerszám gépeket robbanásveszélyes atmoszférában, mint például gyúlékony folyadékok, gázok vagy por jelenlétében.**
A szerszám gépek szikrákat keltenek, amelyek meggyújthatják a port vagy gőzöket.
- Tartsa távol a gyermekeket és körülállókát, miközben a szerszám gépet üzemelteti.**
A figyelemelvonás a kontroll elvesztését okozhatja.

2) Érintésvédelem

- A szerszám gép dugaszoknak meg kell felelniük az aljzatnak.**
Soha, semmilyen módon ne módosítsa a dugaszt.
Ne használjon semmilyen adapter dugaszt földelt szerszám gépekkel.
A nem módosított dugaszok és a megfelelő aljzatok csökkentik az áramütés kockázatát.
- Kerülje a test érintkezését földelt felületekkel, mint például csövekkel, radiátorokkal, tűzhelyekkel és hűtőszekrényekkel.**
Az áramütés kockázata megnövekszik, ha a teste földelve van.
- Ne tegye ki a szerszám gépeket esőnek vagy nedves körülményeknek.**
A szerszám gépbe kerülő víz növeli az áramütés kockázatát.
- Ne rongálja meg a vezetéket. Soha ne használja a vezetéket a szerszám gép szállítására, húzására vagy kihúzására.**
Tartsa távol a vezetéket a hőtől, olajtól, éles szegélyektől vagy mozgó alkatrészekről.
A sérült vagy összekuszálódott vezetékek növelik az áramütés kockázatát.
- Szerszám gép szabadban történő üzemeltetése esetén használjon szabadtéri használatra alkalmas hosszabbító kábelt.**
A szabadtéri használatra alkalmas kábel használata csökkenti az áramütés kockázatát.
- Ha elkerülhetetlen a szerszám gép nyirkos helyen történő használata, használjon maradékáram-készülékkel (RCD) védett táplálást.**
Az RCD használata csökkenti az áramütés kockázatát.

3) Személyi biztonság

- Álljon készenlétben, figyelje, hogy mit tesz, és használja a józan esztét a szerszám gép üzemeltetésekor.**
Ne használja a szerszám gépet fáradtan, kábítószert, alkoholt vagy gyógyszer befolyása alatt.
A szerszám gépek üzemeltetése közben egy pillanatnyi figyelmen kívül hagyás súlyos személyi sérülést eredményezhet.

- Használjon személyi védőfelszerelést. Mindig viseljen védőszemüveget.**
A megfelelő körülmények esetén használt védőfelszerelés, mint például a porálarca, nem csúszó biztonsági cipő, kemény sisak, vagy hallásvédő csökkenti a személyi sérüléseket.
 - Előzze meg a véletlen elindítást. Győződjön meg arról, hogy a kapcsoló a KI helyzetben van, mielőtt csatlakoztatja az áramforráshoz és/vagy az akkumulátorcsomaghoz, amikor felveszi vagy szállítja a szerszámot.**
A szerszám gépek szállítása úgy, hogy az ujj a kapcsolón van vagy a bekapcsolt helyzetű szerszám gépek áram alá helyezése vonzza a baleseteket.
 - Távolítsa el minden állítókulcsot vagy csavarculcsot, mielőtt bekapcsolja a szerszám gépet.**
A szerszám gép forgó részéhez csatlakoztatva hagyott csavarculcs vagy kulcs személyi sérülést eredményezhet.
 - Ne nyúljon át. Mindenkor álljon stabilan, és őrizze meg egyensúlyát.**
Ez lehetővé teszi a szerszám gép jobb ellenőrzését váratlan helyzetekben.
 - Öltözzön megfelelően. Ne viseljen laza ruházatot vagy ékszert. Tartsa távol a haját, ruházatát és kesztyűjét a mozgó részekről.**
A laza ruházat, ékszer vagy hosszú haj beakadhat a mozgó részekbe.
 - Ha vannak rendelkezésre bocsátott eszközök a porleszívó és gyűjtő létesítmények csatlakoztatásához, gondoskodjon arról, hogy ezek csatlakoztatva és megfelelően használva legyenek.**
A porgyűjtő használata csökkentheti a porhoz kapcsolódó veszélyeket.
- 4) **A szerszám gép használata és ápolása**
- Ne erőltesse a szerszám gépet. Használjon az alkalmazásához megfelelő szerszám gépet.**
A megfelelő szerszám gép jobban és biztonságosabban végzi el a feladatot azon a sebességen, amelyre azt tervezték.
 - Ne használja a szerszám gépet, ha a kapcsoló nem kapcsolja azt be és ki.**
Az a szerszám gép, amely a kapcsolóval nem vezérelhető, veszélyes és meg kell javítani.
 - Húzza ki a dugaszt az áramforrásból és/vagy az akkumulátorcsomagot a szerszám gépből, mielőtt bármilyen beállítást végez, tartozékokat cserél vagy tárolja a szerszám gépeket.**
Az ilyen megelőző biztonsági intézkedések csökkentik a szerszám gép véletlen beindulásának kockázatát.
 - A használaton kívüli szerszám gépeket tárolja úgy, hogy gyermekek ne érhessék el, és ne engedje meg, hogy a szerszám gépet vagy ezeket az utasításokat nem ismerő személyek üzemeltessék a szerszám gépet.**
Képzetlen felhasználók kezében a szerszám gépek veszélyesek.
 - A szerszám gépek karbantartása. Ellenőrizze a helytelen beállítás, a mozgó részek elakadása, alkatrészek törése és minden olyan körülmény szempontjából, amelyek befolyásolhatják a szerszám működését.**
Ha sérült, használat előtt javíttassa meg a szerszámot.
Sok balesetet a rosszul karbantartott szerszám gépek okoznak.
 - A vágószerszámokat tartsa élesen és tisztán.**
Az éles vágóélekkel rendelkező, megfelelően karbantartott vágószerszámok kevésbé valószínűleg akadnak el és könnyebben kezelhetők.

- g) A szerszám gép tartozékait és betétkéseit, stb. használja ezeknek az utasításoknak megfelelően, figyelembe véve a munkakörülményeket és a végzendő munkát.

A szerszám gép olyan műveletekre történő használata, amelyek különböznek a szándékoltaktól, veszélyes helyzetet eredményezhet.

5) Szerviz

- a) A szerszám gépet képesített javító személyvel szervizeltesse, csak azonos cserealkatrészek használatával.

Ez biztosítja, hogy a szerszám gép biztonsága megmaradjon.

VIGYÁZAT

Tartsa távol a gyermekeket és beteg személyeket. Amikor nincs használatban, a szerszámokat úgy kell tárolni, hogy gyermekek és beteg személyek ne érhessék el.

A FÚRÁSRA VONATKOZÓ BIZTONSÁGI UTASÍTÁSOK

- Az ütvefűrő gép használata közben viseljen fülvédőt.**
A zajnak való kitettség halláskárosodást okozhat.
- Használja a szerszám géphez mellékelte kiegészítő fogantyút.**
Az ellenőrzés elvesztése személyi sérülést okozhat.
- Használat közben mindkét kezével szilárdan tartsa a fűrőgépet és az oldalfogantyút.
- Ne viseljen olyan anyagból készült kesztyűt, amely hajlamos arra, hogy felcsavarodjon (pamut, gyapjú, textil vagy spárga, stb.)
- Falakba, mennyezetekbe vagy padlóba történő fúrás előtt győződjön meg arról, hogy azokban nem futnak elektromos vezetékek.

MŰSZAKI ADATOK

Modell		D10VF	D10VG	D13VF	D13VG	
Feszültség (terület szerint)*		(110V, 220V, 230V, 240V) ~				
Névleges teljesítményfelvétel		710W*				
Üresjárat fordulat/szám		0-3,000min ⁻¹	0-1,200min ⁻¹	0-850min ⁻¹	0-600min ⁻¹	
Fűrőtokmánya kapacitás		10 mm		13 mm		
Kapacitás	Acél	Csigafűrő	10 mm	10 mm	13 mm	13 mm
		Lyukfűrész	-	38 mm	51 mm	70 mm
	Fa	Fafűrőhegy	25 mm	32 mm	40 mm	40 mm
		Furdancsfűrő	-	-	32 mm	38 mm
	Lyukfűrész	29 mm	70 mm	102 mm	114 mm	
Súly (tápkábel nélkül)						
Műszaki adatok kulcsos tokmányhoz		1,8 kg	1,9 kg	2,1 kg	2,1 kg	
Műszaki adatok kulcs nélküli tokmányhoz		1,8 kg	1,9 kg	2,0 kg	2,0 kg	

* Ne felejtse el ellenőrizni a típus táblán feltüntetett adatokat, mivel ezek eladási területenként változnak!

(Kapacitás sarokillesztékkel (választható kiegészítő a D13VF és a D13VG modellekhez))

Modell		D13VF		D13VG		
A sarokegység fordulatszáma		ALACSONY (650min ⁻¹)	MAGAS (1350min ⁻¹)	ALACSONY (400min ⁻¹)	MAGAS (900min ⁻¹)	
Kapacitás	Acél	Csigafűrő	13 mm	13 mm	13 mm	13 mm
		Lyukfűrész	64 mm	32 mm	70 mm	51 mm
	Fa	Fafűrőhegy	40 mm	32 mm	40 mm	40 mm
		Furdancsfűrő	38 mm	29 mm	38 mm	32 mm
	Lyukfűrész	114 mm	64 mm	114 mm	102 mm	

STANDARD TARTOZÉKOK

(D10VF)

- (1) Tokmánykulcs
(műszaki adatok csak kulcsos tokmányhoz)..... 1

(D10VG és D13VF)

- (1) Oldalfogantyú 1
(2) Tokmánykulcs
(műszaki adatok csak kulcsos tokmányhoz)..... 1

(D13VG)

- (1) Oldalfogantyú 1
(2) Fogantyú csatlakozás 1
(3) Tokmánykulcs
(műszaki adatok csak kulcsos tokmányhoz)..... 1
A standard tartozékok előzetes tájékoztatás nélkül változhatnak.

TETSZÉS SZERINT VÁLASZTHATÓ TARTOZÉKOK (külön megrendelésre)

(D10VF)

- (1) Oldalfogantyú
- (2) Akasztó (A)

(D10VG)

- (1) Akasztó (A)
- (D13VF és D13VG)

- (1) Akasztó (A)
- (2) Sarokilleszték

A tetszés szerint választható tartozékok előzetes bejelentés nélkül bármikor változhatnak.

ALKALMAZÁSOK

- Lyukak fúrása fémbe, fába és műanyagba.

AZ ÜZEMBEHELYEZÉS ELŐTTI TENNIVALÓK

1. Áramforrás

Ügyeljen rá, hogy a készülék adattábláján feltüntetett feszültség értéke megegyezzen az alkalmazni kívánt hálózati feszültséggel.

2. Hálózati kapcsoló

Ügyeljen rá, hogy a hálózati kapcsoló KI állásba legyen kapcsolva. Ha a csatlakozódugó úgy csatlakoztatja a dugaszolóaljzatba, hogy közben a hálózati kapcsoló BE állásban van, a kéziszerszám azonnal működésbe lép, ami súlyos balesetet idézhet elő.

3. Hosszabbító vezeték

Ha a munkaterület az áramforrástól távol található, akkor egy megfelelő keresztmetszetű és teljesítményű hosszabbító vezetékkel kell alkalmazni.

4. A megfelelő fúróhegy kiválasztása:

- Fém és műanyag fúrása esetén
 - Használjon normál fémmunkához való fúróhegyeket.
 - Fa fúrása esetén
 - Használjon normál famunkához való fúróhegyeket.
- Ha azonban 6,5 mm vagy ennél kisebb furatokat készít, használjon fémmunkához való fúróhegyet.

5. A hegy beillesztése és eltávolítása

Kulcsos tokmány esetében (1. Ábra)

- (1) Nyissa ki a tokmány szorítófóáit és helyezze be a hegyet a tokmányba.
- (2) Illesse be a tokmánykulcsot a tokmány mindhárom lyukába és fordítsa el az óra járásával egyező irányban (a szerszám elejéről szemlélve), majd pedig biztonságosan szorítsa meg.
- (3) A hegy eltávolításához illesse be a tokmánykulcsot a tokmány egyik lyukába és fordítsa el az óra járásával ellentéző irányba.

Kulcs nélküli tokmány esetén (2. Ábra)

- (1) Nyissa ki a tokmány szorítófóáit és helyezze be a hegyet a tokmányba
- A tokmány szorítófóáinak kinyitásához fogja le a gyűrűt, közben pedig forgassa a karmantyút az óra járásával ellentétes irányba (a szerszám elejéről szemlélve).
- (2) Erősen fogja meg a gyűrűt és forgassa a karmantyút az óra járásával egyező irányba, majd pedig biztonságosan szorítsa meg.
- (3) A hegy eltávolításához fogja meg erősen a gyűrűt és forgassa a karmantyút az óra járásával ellentétes irányba.

- (4) Amennyiben nehéz volna a karmantyú meglazítása, rögzítse az orsót egy villáskulccsal, tartsa erősen a karmantyút, és fordítsa el a lazításnak megfelelő irányba (az óra járásával ellentéző irányba, ha a szerszám elejéről szemléljük) (3. Ábra)

6. Az oldalfogantyú felszerelése

A D10VG és a D13VF modellek esetében

A D10VG és a D13VF modellek esetében.

A fúrót oldalfogantyúval szállítjuk.

A fogantyú a jobb- vagy balkezes használathoz a szerszám bármelyik oldalára felszerelhető.

Az oldalfogantyú felszerelése a menetes aljzatba történő becsavarással történik a szerszám tetszőleges oldalán. Ezt követően ne fedje el biztonságosan megszorítani.

(4. Ábra)

D13VG modell

Ennek a fúrónak a motorja jelentős forgatónyomatékkal rendelkezik, ami fúrás során jelentős visszaható erőt gyakorol a kezekre. Ezért a használat előtt feltétlenül ellenőrizze, hogy az oldalfogantyú és a fogantyú csatlakozás megfelelően vannak-e felszerelve. (5. Ábra)

7. A forgásirány ellenőrzése (6. Ábra)

A nyomógomb jobb oldalának R megnyomására a hegy az óramutató járásával egyező irányban forog (ha a szerszám hátulja felől szemléljük).

A hegynek az óramutató járásával ellentéző irányban történő forgatásához a nyomógomb bal oldalát L kell megnyomni.

(A bal és a jobb irány jelei (L) és (R) a szerszám házán található.)

8. A sarokeyység csatlakoztatása. (Választható tartozék a D13VF és a D13VG modellekhez.)

- (1) A tokmány eltávolítása a fúróból (7. Ábra)

- A tokmányt a fúróból történő eltávolításához nyissa ki a tokmány szorítófóáit amennyire csak lehetséges és hajtsa ki a rögzítő csavart (balmenetes). Ez a csavar rögzíti a tokmányt az orsóhoz. Tartsa úgy a fúrót, hogy csak a tokmány fekdűjén fel szilárdan és derékszögben egy kemény munkapad szélére. Illesse be az imbuszkulcsot a tokmányba.

Fordítsa el a tokmányt úgy, hogy az imbuszkulcs körülbelül 30 fokos szöget zárjon be az asztal lapjával és üssön erősen az imbuszkulcsra egy kalapáccsal úgy, hogy a tokmány az óramutató járásával ellentétes irányba forduljon el (a szerszám elejéről szemlélve). Ennek meg kell lazítania a tokmányt az orsóról, ami jobbménetes és így a tokmány kézzel könnyen eltávolítható.

FIGYELEM:

Ha a tokmány az imbuszkulcs ütése révén sem távolítható el, akkor ne üsse erősen az imbuszkulcsot, hanem küldje el a fúrót egy Hitachi szakszervíz.

- (2) A sarokeyység felszerelése

- A tokmány eltávolítását követően illesse be a kuplungot a fúró orsójába. Illesse be a közös karmantyút a hosszabbító burkolatba, csatlakoztassa a sarokeysséget a közös karmantyú másik végéhez, és tetszőleges irányban forgassa el a sarokeysséget úgy, hogy a kuplung hatlapfejű nyílása csatlakozhasson a sarokeyység orsójának hatlapfejű részéhez. Állítsa be a sarokeysség irányát, majd pedig szorítsa meg a közös karmantyút a szorítócsavarokkal.

Egymást követően, egyformán és fokozatosan szorítsa meg a szorítócsavarokat 70-80 kg-cm nyomatékkal

(ezt az erőhatást csak csuklóból és a szorítócsavarok meghúzásához biztosított villáskulccsal lehet kifejteni).

(8. Ábra)

- A sarokegység alacsony fordulatszámú történő működtetéséhez csatlakoztassa a tokmányt a sarokegység orsójának „LOW” (alacsony fordulatszám) oldalához és húzza meg a rögzítő csavart. Ennél a beállításnál a fűrési sebesség mintegy 70 %-ra csökken, a fűrési nyomaték viszont mintegy 150 %-ra emelkedik.

(9. Ábra)

- A sarokegység magas fordulatszámú történő működtetéséhez csatlakoztassa a tokmányt a sarokegység orsójának „HIGH” (magas fordulatszám) oldalához és húzza meg a rögzítő csavart. Ennél a beállításnál a fűrési sebesség mintegy 150 %-ra emelkedik, a fűrési nyomaték viszont mintegy 70 %-ra csökken. (10. Ábra)

(3) Az oldalfogantyú felszerelése (11. Ábra)

A fogantyú a jobb- vagy balkezes használathoz a sarokegység bármelyik oldalára felszerelhető. Az oldalfogantyú felszerelése a menetes aljzatba történő becsavarással történik a sarokegység tetszőleges oldalán. Ezt követően ne fedje el a biztonságosan megszorítani.

(4) A tokmány eltávolítása a sarokegységből (12. Ábra)

- A tokmány a sarokegységből ugyanúgy vehető ki, mint magából a fűrőből DE A TOKMÁNY MEGLAZÍTÁSÁNAK MEGKÍSÉRLÉSE ELŐTT MINDIG TÁVOLÍTSA EL A SAROKELEMET A FÜRŐBŐL. Ezzel megelőzhető a fűrő szerkezetének károsodása. A tokmány meglazításának megkísérlése előtt a sarokegység megtartásához használja a szerszámmal szállított villáskulcsot.

FIGYELEM:

Ha a tokmány az imbuszkulcs ütése révén sem távolítható el, akkor ne üsse erősen az imbuszkulcsot, hanem küldje el a fűrőt egy Hitachi szakszervíz.

9. Az akasztó csatlakoztatása (választható tartozék) (13. Ábra)

Az akasztó csatlakoztatásához le kell szerelni azt a fogantyú részt, amely a szerszám elektromos rendszerét takarja. Az Ön folyamatos biztonsága és az elektromos áramütés elleni védelem miatt az akasztót erre a szerszámról CSAK Hitachi szakszervíz szerelheti fel.

FIGYELEM:

Ha a kéziszerszámot úgy használja, hogy ahhoz akasztó van rögzítve, akkor az alábbi pontokra kell figyelnie.

- Mielőtt a fűrőegységet a nadrágszíjára akasztaná, győződjön meg arról, hogy a fűrő teljesen leállt. Amíg a szerszám a nadrágszíjra lóg, a hálózati csatlakozót ki kell húzni a dugaszoló aljzatból.
- Ne közeledjen úgy, hogy a kéziszerszám az övén lóg.
- Ha magas helyen dolgozik, akkor a szerszám véletlen elejtése veszélyes lehet. Ha az akasztó deformálódott, vagy ha rossz helyzetben van beakasztva, akkor fennáll a veszélye annak, hogy a szerszám kicsúszik és leesik. Kerülje el a veszélyhelyzeteket.
- Átmenő furat készítésekor a kéziszerszám néha erősen beremeg, például a munkadarab átszakításakor. Ügyeljen arra, hogy az akasztó ilyen eset előfordulásakor se okozzon sérülést.

HASZNÁLAT

1. A kapcsoló működtetése

- A kapcsoló lenyomása esetén a szerszám forog.
- A kapcsoló felengedése esetén a szerszám leáll.
- A fűrő forgási sebességét a kapcsoló megnyomásának intenzitását változtatva tudjuk szabályozni. A kapcsoló enyhe megnyomásakor a fűrő sebessége alacsony, és a nyomás fokozásával a sebesség is növekszik.
- A kapcsoló és az ütköző együttes megnyomásakor a fűrő olyan bekapcsolt állapotban marad, amely kényelmes a folyamatos működéshez. Kikapcsoláskor az ütközőt a kapcsoló ismételt megnyomásával lehet oldani.

2. Fűrás

- Fűráskor kezdjük a fűrést lassan, majd pedig fűrás közben fokozatosan emeljük a fordulatszámot.
 - Mindig a hegygel egyenes vonalban alkalmazzon nyomást. Alkalmazzon a fűrashoz elegendő nyomást, de ne nyomja annyira, hogy leálljon a motor, vagy pedig a hegy elhajoljon.
 - A motor leállításának vagy az anyag áttörésének minimalizálásához csökkentse a fűrőre nehezedő nyomást és a lyuk utolsó részében könnyítve nyomja a hegyet.
 - Ha a fűrő leáll, azonnal engedje fel a kapcsolót, távolítsa el a hegyet a munkadarabból, és kezdje újra. Ne nyomkodja a kapcsolót a leállt fűrő elindítását megkísérelve, ez ugyanis károsíthatja a fűrőt.
 - Minél nagyobb a fűrőhegy átmérője, annál nagyobb a kára visszaható erő.
 - Ügyeljen arra, hogy ezen visszaható erő miatt el ne veszítse a fűrő feletti ellenőrzést.
- A biztos ellenőrzéshez vesse meg alaposan a lábát, használja az oldalfogantyút, fogja erősen a fűrőt mindkét kezével, és gondoskodjon arról, hogy a fűrő függőlegesen hatoljon be a fűrendő anyagba.

ELLENŐRZÉS ÉS KARBANTARTÁS

1. A fűrőhegyek ellenőrzése

Miután az elkopott fűrőhegyek használata a motor hibás működését és a hatékonyság romlását okozhatja, a kopottság észlelésekor késedelem nélkül cserélje ki a fűrőhegyeket új, vagy pedig megelévezett hegyekre.

2. A rögzítő csavarok ellenőrzése

Rendszeresen ellenőrizzen minden rögzítő csavart, és ügyeljen rá, hogy azok megfelelően meg legyenek szorítva. Minden meglazult csavart azonnal szorítson meg. Ennek elhanyagolása súlyos veszélyeket hordoz magában.

3. A motor karbantartása

A motor tekeréscselése az elektromos szerszám “szíve”. Gondosan ügyeljen rá, hogy a tekeréscselés ne sérüljön, illetve ne kerüljön kapcsolatba olajjal vagy vízzel.

4. A szénkefék ellenőrzése

Az Ön folyamatos biztonsága és az elektromos áramütés veszélyének elkerülése érdekében a szerszám szénkeféinek ellenőrzését és cseréjét KIZÁRÓLAG csak Hitachi Szakszervíz végezheti.

5. Szervizelési alkatrészlista

- A: Alkatrész-szám
- B: Kódszám
- C: Használt darabszám
- D: Megjegyzések

FIGYELEM

Hitachi kéziszerszámok javítását, módosítását és ellenőrzését csak Hitachi Szakszervíz végezheti.

Javítás vagy egyéb karbantartás esetén hasznos ha ezt a szervíz-alkatrész listát a szerszámmal együtt átadjuk a Hitachi szakszervíznek.

A kéziszerszámok üzemeltetése és karbantartása során be kell tartani az egyes országokban érvényben lévő biztonsági rendelkezéseket és szabványokat.

MÓDOSÍTÁSOK

A Hitachi kéziszerszámok állandó tökéletesítéseken mennek át, hogy alkalmazni tudják a legújabb műszaki fejlesztések eredményeit.

Éppen ezért egyes alkatrészek (azok kódszámai illetve kiviteli módjai) előzetes bejelentés nélkül megváltozhatnak.

GARANCIA

A Hitachi Power Tools szerszámokra a törvényes/országos előírásoknak megfelelő garanciát vállalunk. A garancia nem vonatkozik a helytelen vagy nem rendeltetésszerű használatból, továbbá a normál mértékűnek számító elhasználódásból, kopásból származó meghibásodásokra, károokra. Reklamáció esetén kérjük, küldje el a - nem szétszerelt - szerszámot a kezelési útmutató végén található GARANCIA BIZONYLATTAL együtt a hivatalos Hitachi szervízközpontba.

MEGJEGYZÉS

A HITACHI folyamatos kutatási és fejlesztési programja következtében az itt szereplő műszaki adatok előzetes bejelentés nélkül változhatnak.

A környezeti zajra és vibrációra vonatkozó információk

A mért értékek az EN60745 szabványnak megfelelően kerültek meghatározásra és az ISO 4871 alapján kerülnek közzétételre.

[D13VG]

Mért A hangnyomás-szint: 84 dB (A)

Bizonytalanság KpA: 3 dB (A)

Viseljen hallásvédelmi eszközt.

A jellemző súlyozott gyorsulás négyzetes középértéke: 2,5 m/s².

OBECNÁ VAROVÁNÍ TÝKAJÍCÍ SE BEZPEČNOSTI EL. PŘÍSTROJE

⚠ UPOZORNĚNÍ

Přečtěte si všechna varování týkající se bezpečnosti a všechny pokyny.

Nedodržení těchto varování a pokynů může mít za následek elektrický šok, požár a/nebo vážné zranění.

Všechna varování a pokyny si uschovejte. V budoucnu se vám mohou hodit.

Pojem "elektrický nástroj" v těchto varováních se vztahuje k vašemu elektrickému nástroji napájenému ze sítě (se šňůrou) nebo napájenému z baterie (bez šňůry).

1) Bezpečnost na pracovišti

- Udržujte vaše pracoviště čisté a dobře osvětlené.**
V důsledku nepořádku nebo tmy dochází k nehodám.
- Neprovazujte elektrické nástroje ve výbušném ovzduší, např. v přítomnosti hořlavých kapalin, plynů či prachu.**
Elektrické nástroje produkují jiskry, které by mohly zapálit prach anebo plyny.
- Během práce s elektrickým nástrojem zabraňte přístupu dětí a přihlížejících osob.**
Rozptylování by mohlo způsobit ztrátu vaší kontroly nad nástrojem.

2) Elektrická bezpečnost

- Zástrčka elektrického nástroje musí odpovídat zásuvce.**
Nikdy se nepokoušejte zástrčku jakkoli upravovat. U uzemněných elektrických nástrojů nepoužívejte žádné rozbočovací zásuvky.
Neupravované zástrčky a odpovídající zásuvky snižují nebezpečí elektrického šoku.
- Zabraňte kontaktu s uzemněnými povrchy jako jsou trubky, radiátory, sporáky a lednice.**
Je-li uzemněné vaše tělo, existuje zvýšené nebezpečí elektrického šoku.
- Nevystavujte elektrický nástroj dešti nebo vlhkým podmínkám.**
Voda, která vnikne do elektrického nástroje, zvyšuje nebezpečí elektrického šoku.
- Zacházejte správně s napájecí šňůrou. Nikdy šňůru nepoužívejte k přenášení, tahání nebo odpojování elektrického nástroje ze zásuvky. Umístěte napájecí šňůru mimo působení horka, mimo olej, ostré hrany nebo pohybující se části.**
Poškozené nebo zamotané šňůry zvyšují nebezpečí elektrického šoku.
- Během provozu elektrického nástroje venku používejte prodlužovací šňůru vhodnou k venkovnímu použití.**
Použití šňůry vhodné k venkovnímu použití snižuje nebezpečí elektrického šoku.
- Pokud je použít elektrického nástroje na vlhkém místě nevyhnutelné, použijte napájení s ochranným zařízením na zbytkový proud.**
Použití zařízení na zbytkový proud snižuje riziko elektrického šoku.

3) Osobní bezpečnost

- Buďte pozorní, sledujte, co děláte a při práci s elektrickým nástrojem používejte zdravý rozum. Elektrický nástroj nepoužívejte, jste-li unavení nebo pod vlivem drog, alkoholu nebo léků.**

Jediný okamžik nepozornosti při práci s elektrickým nástrojem může způsobit vážné zranění.

- Používejte osobní ochranné pracovní pomůcky. Vždy noste ochranu očí.**

Ochranné pracovní pomůcky jako respirátor, bezpečnostní obuv s protiskluzovou podrážkou, ochranná přilba nebo ochrana sluchu použité v příslušných podmínkách snižují možnost zranění.

- Zabraňte nechtěnému spuštění. Před připojením ke zdroji napájení a/nebo bateriového zdroje, zvedáním nebo přenášením elektrického nástroje se ujistěte, že je spínač v poloze vypnuto.**

Nošením elektrických nástrojů s prstem na vypínači nebo jejich aktivací s vypínačem v poloze zapnuto vzniká nebezpečí úrazu.

- Před zapnutím elektrického nástroje odstraňte seřizovací klíč.**

Klíč ponechaný připevněný k rotující části elektrického nástroje může způsobit zranění.

- Nepřehánějte to. Vždy si udržujte správné postavení a stabilitu.**

To umožní lepší kontrolu nad elektrickým nástrojem v nepředvídaných situacích.

- Noste správný oděv. Nenoste volné oblečení ani šperky. Vlasy, oděv a rukavice udržujte mimo pohybující se části.**

Volný oděv, šperky nebo dlouhé vlasy mohou být vtaheny do pohybujících se částí.

- Pokud jsou k dispozici zařízení k připojení přístrojů k odsávání a sběru prachu, ujistěte se, že jsou připojena a správně používána.**

Použitím zařízení ke sběru prachu lze snížit rizika související s prachem.

4) Používání a péče o elektrický nástroj

- Netlačte na elektrický nástroj. Používejte vždy vhodné elektrický nástroj pro danou aplikaci.**

Správný elektrický nástroj provede daný úkol lépe a bezpečněji, rychleji, pro jakou byl konstruován.

- Nepoužívejte elektrický nástroj, pokud nefunguje jeho zapínání a vypínání pomocí vypínače.**

Jakýkoli elektrický nástroj, který nelze ovládat vypínačem, je nebezpečný a musí být opraven.

- Před prováděním jakéhokoli seřízení, před výměnou příslušenství nebo uskladněním elektrických nástrojů vždy nejprve odpojte zástrčku ze zdroje napájení a/nebo odpojte bateriový zdroj.**

Taková preventivní opatření snižují nebezpečí nechtěného spuštění elektrického nástroje.

- Nepoužívané elektrické nástroje skladujte mimo dosah dětí a nedovoďte, aby s elektrickým nástrojem pracovali osoby, které nejsou seznámeny s ním nebo s pokyny k jeho používání.**

Elektrické nástroje v rukou nevyškolených uživatelů jsou nebezpečné.

- Udržujte elektrické nástroje. Kontrolujte případná vychýlení nebo sevření pohybujících se částí, poškození částí a jakékoli ostatní podmínky, které mohou mít vliv na provoz elektrických nástrojů.**

V případě poškození nechte elektrický nástroj před jeho dalším použitím opravit.

Mnoho nehod vzniká v důsledku nesprávné údržby elektrických nástrojů.

- Udržujte řezací nástroje ostré a čisté.**

Správně udržované řezací nástroje s ostrými řeznými hranami se méně pravděpodobně zaseknou a lépe se ovládají.

- g) Elektrický nástroj, příslušenství, vsazené části atd. použijte v souladu s těmito pokyny. Berte přitom zřetel na pracovní podmínky a prováděnou práci.

Použití elektrického nástroje k jinému než určenému účelu může způsobit nebezpečnou situaci.

5) Servis

- a) Servis vašeho elektrického nástroje svěřte kvalifikovanému opraváři, který použije pouze identické náhradní díly.

Tak bude i nadále zajištěna bezpečnost elektrického nástroje.

PREVENTIVNÍ OPATŘENÍ

Nedovolte přístup dětem a slabomyslným osobám.

Pokud nástroje nepoužíváte, měli byste je skladovat mimo dosah dětí a slabomyslných osob.

BEZPEČNOSTNÍ POKYNY PRO POUŽITÍ VRTAČKY

1. U přiklepových vrtáček používejte ochranu sluchu. V důsledku vystavení hluku může dojít ke ztrátě sluchu.
2. Používejte pomocné rukojeti dodané s nářadím. V případě ztráty kontroly může dojít k poranění osob.
3. Při použití vrtáčky ji přidržujte za obě rukojeti pevně oběma rukama.
4. Nepoužívejte rukavice vyrobené z materiálu, který by se mohl smotat, jako například bavlna, vlna, tkanina nebo síťovina, atd.
5. Před vrtním do zdí, stropů, nebo podlah se ujistěte, že uvnitř se nevyskytují žádné elektrické kabely nebo jiné sítě.

PARAMETRY

Model		D10VF	D10VG	D13VF	D13VG	
Napětí (podle oblasti)*		(110V, 220V, 230V, 240V) ∪				
Vstupní příkon		710W*				
Rychlost bez zatížení		0–3,000min ⁻¹	0–1,200min ⁻¹	0–850min ⁻¹	0–600min ⁻¹	
Upínací průměr nástroje ve sklíčidle		10 mm		13 mm		
Kapacita	Ocel	Spirálový vrták	10 mm	10 mm	13 mm	13 mm
		Kruhová pila (na kulaté otvory)	–	38 mm	51 mm	70 mm
	Dřevo	Plochý vrták	25 mm	32 mm	40 mm	40 mm
		Hadovitý vrták	–	–	32 mm	38 mm
		Kruhová pila (na kulaté otvory)	29 mm	70 mm	102 mm	114 mm
Váha (bez napájecího kabelu)						
Specifikace pro sklíčidlo s klíčem		1,8 kg	1,9 kg	2,1 kg	2,1 kg	
Specifikace pro sklíčidlo bez klíče		1,8 kg	1,9 kg	2,0 kg	2,0 kg	

* Zkontrolujte, prosíme, štítek na výrobku. Štítek podléhá změnám v závislosti na oblastech použití.

(Kapacita s úhlovou jednotkou (volitelné příslušenství pro modely D13VF a D13VG))

Model		D13VF		D13VG		
Otáčky úhlové jednotky		NÍZKÉ (650min ⁻¹)	VYSOKÉ (1350min ⁻¹)	NÍZKÉ (400min ⁻¹)	VYSOKÉ (900min ⁻¹)	
Kapacita	Ocel	Spirálový vrták	13 mm	13 mm	13 mm	13 mm
		Kruhová pila (na kulaté otvory)	64 mm	32 mm	70 mm	51 mm
	Dřevo	Plochý vrták	40 mm	32 mm	40 mm	40 mm
		Hadovitý vrták	38 mm	29 mm	38 mm	32 mm
		Kruhová pila (na kulaté otvory)	114 mm	64 mm	114 mm	102 mm

STANDARDNÍ PŘÍSLUŠENSTVÍ

(D10VF)

- (1) Klíč pro sklíčidlo (Specifikace pouze pro sklíčidlo s klíčem) 1

(D10VG a D13VF)

- (1) Vysouvací držadlo 1

- (2) Klíč pro sklíčidlo (Specifikace pouze pro sklíčidlo s klíčem) 1

(D13VG)

- (1) Vysouvací držadlo 1

- (2) Spojka rukojeti 1

- (3) Klíč pro sklíčidlo (Specifikace pouze pro sklíčidlo s klíčem) 1

Standardní příslušenství podléhá změnám bez upozornění.

DOPLŇKOVÉ PŘÍSLUŠENSTVÍ (prodává se zvlášť)

<D10VF>

(1) Vysouvací držadlo

(2) Hák (A)

<D10VG>

(1) Hák (A)

<D13VF a D13VG>

(1) Hák (A)

(2) Úhlová jednotka

Doplňky podléhají změnám bez předchozího upozornění.

POUŽITÍ

- Vrtání otvorů do kovu, dřeva a plastu.

PŘED POUŽITÍM

1. Zdroj napětí

Ujistěte se, že používaný zdroj napětí splňuje požadavky specifikované na štítku výrobku.

2. Spínač

Ujistěte se, že spínač je v poloze vypnuto. Pokud je zástrčka zasunuta v zásuvce elektrického proudu a spínač je v poloze „ON“, nástroj začne okamžitě pracovat, a to může způsobit vážný úraz.

3. Prodlužovací kabel

Pokud je pracoviště vzdáleno od zdroje, použijte prodlužovací kabel o správné tloušťce a kapacitě. Je třeba, aby prodlužovací kabel byl co nejkratší.

4. Výběr vhodného vrtáku:

- Pro vrtání do kovu nebo plastu
Použijte standardní vrtáky pro obrábění kovů.
- Pro vrtání do dřeva
Použijte standardní vrtáky pro obrábění dřeva. Nicméně, při vrtání otvorů s průměrem 6,5 mm nebo menším použijte vrtáky pro obrábění kovů.

5. Upevnění a vyjmutí vrtáku

Pro skličidla dotahovaná klíčem (Obr. 1)

- (1) Otevřete čelisti skličidla a vložte do něj vrták.
- (2) Umístěte klíč pro dotahování skličidla do některého ze tří otvorů ve skličidle a otočte jím po směru hodinových ručiček (při pohledu z přední strany). Pečlivě dotáhněte.
- (3) Vyjmutí vrtáku provedete tak, že klíč vložíte do jednoho z otvorů ve skličidle a otočíte jím proti směru hodinových ručiček.

Pro skličidla bez klíče (Obr. 2)

- (1) Otevřete čelisti skličidla a vložte do něj vrták.
Čelisti skličidla otevřete tak, že podržíte kroužek a otočíte pouzdrem proti směru hodinových ručiček (při pohledu z přední strany).
- (2) Pevně uchopíte kroužek a otočíte pouzdrem po směru hodinových ručiček. Pečlivě dotáhněte.
- (3) Vyjmutí vrtáku provedete tak, že pevně uchopíte kroužek a otočíte pouzdrem proti směru hodinových ručiček.
- (4) Pokud lze pouzdro povolit jenom obtížně, zablokujte hřídel pomocí plochého klíče a pevně pouzdro pozdržte, a otočte jím ve směru, ve kterém se povoluje (proti směru hodinových ručiček při pohledu z přední strany). (Obr. 3)

6. Montáž boční rukojeti

Pro D10VG a D13VF

S vrtáčkou je dodávána boční rukojeť.

Lze ji namontovat na jednu ze stran nástroje pro pravostranné a levostranné použití.

Montáž boční rukojeti provedete jejím zašroubováním do otvoru na požadované straně nástroje a pečlivým dotažením. (Obr. 4)

Pro D13VG

Velký kroučící moment motoru této vrtáčky může vést k výrazné reakci přenášené do vašich paží během vrtání. Poté je nutné se před použitím důkladně ujistit, že boční rukojeť a spojka rukojeti jsou správně namontované. (Obr. 5)

7. Zkontrolujte směr otáčení (Obr. 6)

Vrták se otáčí po směru hodinových ručiček (při pohledu ze zadní strany) při stisku strany tlačítka označené písmenem R.

Stranu označenou písmenem L stiskněte v případě, že chcete, aby se vrták otáčel proti směru hodinových ručiček.

(Značky (L) a (R) jsou umístěny na těle vrtáčky.)

8. Připojení úhlové jednotky. (Volitelné příslušenství pro modely D13VF a D13VG)

(1) Demontáž skličidla z vrtáčky (Obr. 7)

- Při demontáži skličidla z vrtáčky povolte čelisti skličidla co nejvíce a vyšroubujte pojistný šroub (levý závit). Tento šroub zajišťuje skličidlo na hřídeli. Podržte vrtáčku tak, aby skličidlo spočívalo pevně a naplocho na okraji pevného stolu. Nasadte šestihřanný klíč do skličidla. Otočte skličidlem, dokud nebude klíč svírat úhel asi 30° vůči desce stolu a udeřte na klíč důrazně kladivem tak, aby se skličidlo otočilo proti směru hodinových ručiček (při pohledu z přední strany). Tímto by mělo dojít k povolení skličidla na hřídeli, který má pravý závit a budete tak moci vyjmout skličidlo rukou.

POZOR:

Pokud nelze skličidlo povolit úderem na klíč, neudeřujte do klíče příliš silně, ale odevzdejte vrtáčku do Autorizované servisní středisko Hitachi k provedení servisního zásahu.

(2) Připojení úhlové jednotky.

- Po sejmutí skličidla připojte spojku na hřídel vrtáčky. Nasadte spojovací pouzdro na kryt převodu, připojte úhlovou jednotku na druhý konec spojovacího pouzdra a otočte úhlovou jednotkou mírně v každém směru tak, aby šestihřanný otvor ve spojně zabal s šestihřannou částí hřídele úhlové jednotky. Nastavte směr úhlové jednotky a dotáhněte spojovací pouzdro upínacími šrouby. Dotahujte oba upínací šrouby rovnoměrně, postupně a střídavě, na dotahovací moment 70–80 kg.cm. (Toto je míra síly, kterou lze na šrouby působit pouhým zápěstím pomocí plochého klíče, který je dodáván k dotahování upínacích šroubů). (Obr. 8)
- Používat úhlovou jednotku s nízkými otáčkami můžete tak, že našroubujete skličidlo na hřídel jednotky na straně označené „LOW“ (NÍZKÉ) a zajistíte pomocí pojistného šroubu. Na tomto nastavení jsou otáčky vrtání sníženy na hodnotu asi 70% a kroučící moment vrtání je zvýšen na hodnotu asi 150%. (Obr. 9)
- Používat úhlovou jednotku s vysokými otáčkami můžete tak, že našroubujete skličidlo na hřídel jednotky na straně označené „HIGH“ (VYSOKÉ) a zajistíte pomocí

pojistného šroubu. Na tomto nastavení jsou otáčky vrtání zvýšeny na hodnotu asi 150% a krouticí moment vrtání je snižen na hodnotu asi 70%. **(Obr. 10)**

3) Montáž boční rukojeti **(Obr. 11)**

Boční rukojeť lze instalovat na kterékoliv straně úhlové jednotky a používat ji na pravé nebo levé straně. Montáž boční rukojeti provedete jejím zašroubováním do otvoru na požadované straně úhlové jednotky a pečlivým dotažením.

4) Demontáž sklíčidla z úhlové jednotky **(Obr. 12)**

- Sklíčidlo je možné demontovat z úhlové jednotky stejným způsobem, jako z vrtačky; nicméně, **VŽDY DEMONTUJTE ÚHLOVOU JEDNOTKU Z VRTAČKY PŘEDTÍM, NEŽ PROVEDETE POVOLENÍ SKLÍČIDLA.** Tímto zabráníte poškození převodového soukolí vrtačky. Použijte plochý klíč dodaný k nástroji a přidržte hřídel úhlové jednotky, než se pokusíte o povolení sklíčidla.

POZOR:

Pokud nelze sklíčidlo povolit úderem na klíč, neudeřujte do klíče příliš silně, ale odevzdejte vrtačku do Autorizované servisní středisko Hitachi k provedení servisního zásahu.

9. Připevnění háku. **(Volitelné příslušenství) (Obr. 13)**

K připevnění háku je nutné demontovat část rukojeti, která zakrývá elektrický systém nástroje. K zajištění trvalé bezpečnosti a ochrany před úrazem elektrickým proudem by mělo být připevnění háku na této vrtačce provedeno **VÝHRADNĚ** Autorizované servisní středisko Hitachi.

POZOR:

Pokud používáte nástroj s připevněným hákem, věnujte pozornost následujícím pokynům:

- Před zavěšením nástroje na opasek se ujistěte, že vrtačka se zcela přestala otáčet.
- Pokud máte nástroj zavěšený na opasku, napájecí zástrčka musí být odpojena od zdroje.
- Nepřecházejte s nástrojem zavěšeným na opasku.
- V případě používání na vysokém místě hrozí nebezpečí náhodného upuštění nástroje. Pokud dojde k deformaci háku nebo k zavěšení nástroje v nevhodné poloze, existuje nebezpečí, že hák vyklouzne a nástroj spadne. Pracujte opatrně a vyhýbejte se nebezpečným situacím.
- Při vrtání otvorů se někdy nástroj silně zachvěje v okamžiku, kdy dojde k proražení skrz obrobek. Proto buďte opatrní, abyste se v takovém případě o hák nezranili.

ZPŮSOB POUŽITÍ

1. Funkce spínače

- Pokud je spínač (spoušť) stisknuta, nástroj se začne otáčet.
- Pokud je spínač (spoušť) uvolněn, nástroj se otáčet přestane.
- Rychlost otáčení vrtačky lze řídit změnou přítlaku na tlačítko spínače. Otáčky jsou nižší, pokud na tlačítko působíte menší silou a zvyšují se úměrně se zvýšením přítlaku prstu.
- Stiskem tlačítka a současným stiskem zarážky je nástroj trvale zapnutý, což je vhodné pro jeho dlouhodobější použití. Pokud nástroj potřebujete vypnout, stačí znovu pevněji stisknout spínač (spoušť).

2. Vrtání

- Při vrtání spusťte vrtačku na nízké otáčky a pak je postupně zvyšujte.

- Vždy působte silou rovně, v jedné ose s vrtákem. Působte takovou silou, aby nástroj trvale vrtal do materiálu, ale natičte příliš, aby nedošlo k zastavení motoru nebo k ohnutí vrtáku.
- K minimalizaci nebezpečí zastavování vrtáku nebo prolomení skrze vrtaný materiál se doporučuje snížit přítlak na vrtačku a nechat vrták proniknout skrze materiál volně a pomaleji.
- Pokud se vrtačka přestane otáčet, uvolněte ihned spínač, vytáhněte vrták z materiálu a začněte pracovat znovu. Nezapínejte střídavě spínač a nepokoušejte se roztočit zastavenou vrtačku. Mohlo by dojít k jejímu poškození.
- Čím větší je průměr vrtáku, tím větší bude reakční síla působící na vaši paži. Buďte opatrní, abyste neztratili kontrolu nad vrtačkou v důsledku této reakční síly. K udržení pevné kontroly nad nástrojem je vhodné pevně zapřít svůj postoj, používat boční rukojeť, držet vrtačku pevně oběma rukama a zajistit, aby byla směřována svisle do materiálu, který vrtáte.

ÚDRŽBA A KONTROLA

1. Kontrola vrtáků

Protože použití opotřebovaného vrtáku způsobí přetěžování a poruchy motoru či jeho sníženou účinnost, vyměňte vrták za nový nebo naostřený vždy neprodleně poté, co si všimnete jeho utupení.

2. Kontrola šroubů

Pravidelně zkontrolujte všechny šrouby a ujistěte se, že jsou správně utažené. Pokud najdete některé šrouby uvolněné, ihned je utáhněte. Neutažené šrouby mohou vést k vážnému riziku.

3. Údržba motoru

Vinutí motoru je srdce elektrického zařízení. Ujistěte se, že vinutí není poškozené nebo vlhké vodou nebo olejem.

4. Kontrola uhlíkových kartáčků

V zájmu zachování bezpečnosti a ochrany před úrazem elektrickým proudem je kontrola a výměna uhlíkových kartáčků tohoto zařízení mělo provádět **POUZE** Autorizované servisní středisko Hitachi.

5. Seznam servisních položek

- A: Číslo položky
- B: Kód položky
- C: Číslo použití
- D: Poznámky

POZOR

opravy, modifikace a kontroly zařízení Hitachi musí provádět Autorizované servisní středisko Hitachi.

Tento seznam servisních položek bude užitečný, předložíte-li jej s vaším zařízením Autorizovanému servisnímu středisku Hitachi společně s požadavkem na opravu nebo další servis.

Při obsluze a údržbě elektrických zařízení musí být dodržovány bezpečnostní předpisy a normy platné v každé zemi, kde je výrobek používán.

MODIFIKACE

Výrobky firmy Hitachi jsou neustále zdokonalovány a modifikovány tak, aby se zavedly nejposlednější výsledky výzkumu a vývoje.

Následně, některé díly (např. čísla kódů nebo návrh) mohou být změněny bez předešlého oznámení.

ZÁRUKA

Ručíme za to, že elektrické nářadí Hitachi splňuje zákonné/ místně platné předpisy. Tato záruka nezahrnuje závady nebo poškození vzniklé v důsledku nesprávného použití, hrubého zacházení nebo normálního opotřebení. V případě reklamace zašlete prosím elektrické nářadí v nerozebraném stavu společně se ZÁRUČNÍM LISTEM připojeným na konci těchto pokynů pro obsluhu do autorizovaného servisního střediska firmy Hitachi.

POZNÁMKA

Vlivem stále pokračujícího výzkumného a vývojového programu HITACHI mohou zde uvedené parametry podléhat změnám bez předchozího upozornění.

Informace o hluku a vibracích

Měřené hodnoty byly určeny podle EN60745 a deklarovány ve shodě s ISO 4871.

[D13VG]

Změřená vážená hladina akustického tlaku A: 84 dB (A)
Neurčitost KpA: 3 dB (A)

Použijte ochranu sluchu.

Typická vážená střední hodnota zrychlení nepřesahuje 2,5 m/s².

GENEL ELEKTRİKLİ ALET GÜVENLİK UYARILARI

⚠ DİKKAT

Tüm güvenlik uyarılarını ve tüm talimatları okuyun.

Uyarılara ve talimatlara uyulmaması elektrik çarpmasına, yangına ve/veya ciddi yaralanmaya neden olabilir.

Bu kılavuzu gelecekte başvurmak üzere saklayın.

Uyarılarda kullanılan "elektrikli alet" terimi, şebeke elektrigiyle çalışan (kablolu) veya pille çalışan (kablesuz) elektrikli aletinizi belirtir.

1) Çalışma alanının güvenliği

- Çalışma alanı temiz ve iyi aydınlatılmış olmalıdır.**
Dağınık veya karanlık alanlar kazalara davetiye çıkarır.
- Elektrikli aletleri yanıcı sıvı, gaz veya toz patlayıcı maddelerin bulunduğu ortamlarda çalıştırmayın.**
Elektrikli aletlerin çıkardığı kıvılcıklar toz veya gaz halinde bu maddeleri ateşleyebilir.
- Bir elektrikli aletle çalışırken çocukları ve izleyicileri uzaklaştırın.**
Dikkatinizin dağılması kontrolü kaybetmenize neden olabilir.

2) Elektrik güvenliği

- Elektrikli aletin fişi elektrik prizine uygun olmalıdır.**
Fişi herhangi bir şekilde değiştirmeyin.
Topraklanmış elektrikli aletlerle herhangi bir adaptör kullanmayın.
Fişlerde değişiklik yapılmaması ve uygun prizlerde kullanılması elektrik çarpması riskini azaltacaktır.
- Borular, radyatörler, fırınlar ve buzdolapları gibi topraklanmış yüzeylerle gövde temasından kaçının.**
Vücudunuzun toprakla temasa geçmesi halinde elektrik çarpması riski artar.
- Elektrikli aletleri yağmura veya ıslak ortamlara maruz bırakmayın.**
Elektrikli alete su girmesi elektrik çarpması riskini artıracaktır.
- Elektrik kablosuna zarar vermeyin.** Elektrikli aleti taşımak, çekmek veya fişini prizden çıkarmak için kabloyu kullanmayın.
Kabloyu ısıdan, yağdan, keskin kenarlardan veya hareketli parçalardan uzak tutun.
Hasar görmüş veya dolaşmış kablolar elektrik çarpması riskini artırır.
- Elektrikli aleti açık alanda kullanırken, açık alanda kullanıma uygun bir uzatma kablosu kullanın.**
Açık alanda kullanıma uygun bir kablo kullanılması elektrik çarpması riskini azaltır.
- Eğer bir elektrikli aletin ıslak bir yerde kullanılması kaçınılmaz ise, artık akım cihazıyla (RCD) korunan bir güç kaynağı kullanın.**
RCD kullanılması elektrik çarpması riskini azaltır.

3) Kişisel emniyet

- Bir elektrikli alet kullanırken daima tetikte olun;** yaptığınız işi izleyin ve sağlıklı davranın.
Aleti yorgunken, alkol veya ilaç etkisi altındayken kullanmayın.
Elektrikli aletleri kullanırken göstereceğiniz bir anlık dikkatsizlik ciddi yaralanmaya sonuçlanabilir.
- Kişisel koruyucu donanım kullanın.** Daima koruyucu gözlük takın.
Uygun koşullar için kullanılan toz maskesi, kaymaz emniyet ayakkabıları, kask veya kulak koruyucu gibi koruyucu ekipmanlar yaralanmaları azaltacaktır.

- Aletin istenmeden çalışmasını engelleyin.** Aleti güç kaynağına ve/veya akü ünitesine bağlamadan, kaldırmadan veya taşımadan önce, güç düğmesinin kapalı konumunda olduğundan emin olun.
Elektrikli aletleri parmağınız güç düğmesinin üzerinde olarak taşımanız veya güç düğmesi açılmış durumda fişini takmanız kazalara davetiye çıkarır.
 - Aletin gücünü açmadan önce alet üzerindeki ayar veya somun anahtarlarını çıkarın.**
Aletin dönen parçalarından birine bağlı kalan bir somun anahtarı veya ayar anahtarı yaralanmaya yol açabilir.
 - Çok fazla yaklaşmayın.** Uygun bir adım mesafesi bırakın ve sürekli olarak dengeyi koruyun.
Böylece, beklenmedik durumlarda aleti daha iyi kontrol etmeniz mümkün olur.
 - Uygun şekilde giyinin.** Bol elbiseler giymeyin ve takı eşyaları takmayın. Saçlarınızı, elbisenizi ve eldivenlerinizi hareketli parçalardan uzak tutun.
Bol elbiseler, takılar veya uzun saçlar hareketli parçalara takılabilir.
 - Eğer toz çekme ve toplama bağlantıları için gerekli aygıtlar sağlanmışsa, bunların bağlı olduğundan ve doğru şekilde kullanıldığından emin olun.**
Toz toplama kullanımı, tozla ilişkili tehlikeleri azaltabilir.
- #### 4) Elektrikli aletin kullanımı ve bakımı
- Elektrikli aleti zorlamayın.** Yapacağınız iş için doğru alet kullanın.
Doğru alet, işinizi daha iyi ve tasarlama olduğu hız değerinde daha güvenli şekilde yapacaktır.
 - Elektrikli alet güç düğmesinden açılıp kapanmıyorsa, aleti kullanmayın.**
Güç düğmesiyle kontrol edilemeyen bir alet tehlikelidir ve tamir edilmeden kullanılmamalıdır.
 - Herhangi bir ayar yapmadan, aksesuarları değiştirmeden veya aleti saklamadan önce fişi güç kaynağından ve/veya akü ünitesinden sökün.**
Bu koruyucu güvenlik önlemleri, elektrikli aletin kazayla çalışma riskini azaltır.
 - Atıl durumdaki elektrikli aletleri çocukların ulaşamayacağı bir yerde saklayın ve elektrikli alet ve bu kullanım talimatları hakkında bilgi sahibi olmayan kişilerin aleti kullanmasına izin vermeyin.**
Elektrikli aletler eğitimsiz kullanıcıların elinde tehlikelidir.
 - Elektrikli aletin bakımını yapın.** Hareketli parçalarda yanlış hizalanma veya sıkışma olup olmadığını, kırık parça olup olmadığını ve elektrikli aletin çalışmasını etkileyebilecek diğer koşulları kontrol edin.
Eğer hasar varsa, kullanmadan önce aleti tamir ettirin.
Kazaların çoğu elektrikli aletlere kötü bakım işlemleri uygulanmasından kaynaklanmaktadır.
 - Aletleri keskin ve temiz tutun.**
Uygun şekilde bakımı yapılan, keskin kenarlara sahip aletlerin sıkışma ihtimali daha azdır ve kontrol edilmesi daha kolaydır.
 - Elektrikli aleti, aksesuarları, uçları, v.b., bu talimatlarla uygun şekilde, çalışma koşullarını ve yapılacak iş göz önünde bulundurarak kullanın.**
Elektrikli aletin amaçlanan kullanımlardan farklı işlemler için kullanılması tehlikeli bir duruma yol açabilir.
- #### 5) Servis
- Elektrikli aletinizin servisini sadece orijinal yedek parçalar kullanmak suretiyle uzman bir tamirciye yaptırın.**
Böylece, elektrikli aletin güvenli kullanımı sağlanacaktır.

ÖNLEM

Çocukları ve zayıf kişileri uzak tutun.

Alet, kullanılmadığı zamanlarda çocukların ve zayıf kişilerin ulaşamayacağı bir yerde saklanmalıdır.

MATKAP GÜVENLİK UYARILARI

- Darbeli matkaplarla kulak koruyucu kullanın.**
Gürültüye maruz kalma işitme kaybına yol açabilir.
- Aletle gelen yardımcı kolları kullanın.**
Aletin kontrolden çıkması yaralanmalara sebep olabilir.
- Kullanım sırasında matkabı ve yan kolu iki elinizle sağlam bir şekilde tutun.
- Pamuklu, yün, kumaş veya iplikli gibi kayabilecekle malzemeden yapılmış eldivenler takmayın.
- Duvar, tavan veya zemini delmeden önce içlerinde elektrik kablosu veya kanal olmadığından emin olun.

TEKNİK ÖZELLİKLER

Model	D10VF		D10VG	D13VF	D13VG	
Voltaj (bölgelere göre)*	(110V, 220V, 230V, 240V) ~					
Güç girişi	710W*					
Yüksüz hız	0-3,000dak ⁻¹	0-1,200dak ⁻¹	0-850dak ⁻¹	0-600dak ⁻¹		
Mandren kapasitesi	10 mm			13 mm		
Kapasite	Çelik	Çevirme Ucu	10 mm	10 mm	13 mm	13 mm
		Delik Testeresi	-	38 mm	51 mm	70 mm
	Ahşap	Düz Spatula Uç	25 mm	32 mm	40 mm	40 mm
		Ağaç burgusu	-	-	32 mm	38 mm
		Delik Testeresi	29 mm	70 mm	102 mm	114 mm
Ağırlık (kordonsuz)	Anahtarlı mandren özellikleri		1,8 kg	1,9 kg	2,1 kg	2,1 kg
	Anahtarsız mandren özellikleri		1,8 kg	1,9 kg	2,0 kg	2,0 kg

* Bu değer bölgeden bölgeye değişiklik gösterdiği için ürünün üzerindeki plakayı kontrol etmeyi unutmayın.

(Açı parçasıyla olan kapasite (D13VF ve D13VG için isteğe bağlı aksesuar))

Model	D13VF		D13VG			
Açı ünitesinin hızı	DÜŞÜK (650dak ⁻¹)	YÜKSEK (1350dak ⁻¹)	DÜŞÜK (400dak ⁻¹)	YÜKSEK (900dak ⁻¹)		
Kapasite	Çelik	Çevirme Ucu	13 mm	13 mm	13 mm	13 mm
		Delik Testeresi	64 mm	32 mm	70 mm	51 mm
	Ahşap	Düz Spatula Uç	40 mm	32 mm	40 mm	40 mm
		Ağaç burgusu	38 mm	29 mm	38 mm	32 mm
		Delik Testeresi	114 mm	64 mm	114 mm	102 mm

STANDART AKSESUARLAR

<D10VF>

(1) Mandren ucu (Sadece anahtarlı mandren için özellikler) ... 1
<D10VG ve D13VF>

(1) Yan Kol 1

(2) Mandren ucu (Sadece anahtarlı mandren için özellikler) ... 1

<D13VG>

(1) Yan Kol 1

(2) Kol mafsalı 1

(3) Mandren ucu (Sadece anahtarlı mandren için özellikler) ... 1

Standart aksesuarlarda önceden bildirimde bulunulmadan değişiklik yapılabilir.

<D10VG>

(1) Askı (A)

<D13VF ve D13VG>

(1) Askı (A)

(2) Açı parçası

İsteğe bağlı aksesuarlarda önceden bildirimde bulunulmadan değişiklik yapılabilir.

UYGULAMALAR

○ Metal, ağaç ve plastikte delik açma.

ALETİ KULLANMADAN ÖNCE**1. Güç kaynağı**

Kullanılan güç kaynağının, ürünün üzerinde bulunan plakada belirtilen güç gerekliliklerine uygun olduğundan emin olun.

<D10VF>

(1) Yan Kol

(2) Askı (A)

2. Açma/ Kapama anahtarı

Açma/ kapama anahtarının OFF konumunda olduğundan emin olun. Açma/ kapama anahtarı ON konumundayken aletin fişi prize takılırsa, alet derhal çalışmaya başlar ve ciddi kazalar meydana gelebilir.

3. Uzatma kablosu

Çalışma alanı güç kaynağından uzakta olduğunda, yeterli kalınlıkta ve belirtilen gücü kaldırabilen bir uzatma kablosu kullanın. Uzatma kablosu olabildiğince kısa tutulmalıdır.

4. Uygun matkap ucunu seçme:

- Metal veya plastikte delik açarken Normal metal işleme matkap uçlarını kullanın.
- Ağaçta delik açarken Normal ağaç işleme matkap uçlarını kullanın. Ancak 6,5 mm veya daha küçük delikler açarken, metal işleme matkap ucu kullanın.

5. Ucu takılması ve çıkarılması

Anahtarlı mandren için (Şekil 1)

- (1) Mandren ağızlarını açın ve ucu mandrene yerleştirin.
- (2) Mandrendeki uç deliğinin her birine mandren ucunu takın ve saat yönünde çevirin (önden bakıldığında). İyice sıkıştırın.
- (3) Ucu çıkarmak için, mandren ucunu mandrendeki deliklerden birine takın ve saatin ters yönünde çevirin.

Anahtarsız mandren için (Şekil 2)

- (1) Mandren ağızlarını açın ve ucu mandrene yerleştirin. Mandren ağızlarını açmak için segmanı saatin ters yönünde (önden bakıldığında) çevirirken halkayı tutun.
- (2) Halkayı sıkıca kavrayın ve segmanı saat yönünde çevirin. İyice sıkıştırın.
- (3) Ucu çıkarmak için halkayı sıkıca kavrayın ve segmanı saatin ters yönünde çevirin.
- (4) Segmanı gevşetmek zorsa, açık uçlu anahtarı kullanarak mili sabitleyin, segmanı sıkıca tutun ve gevşetme yönünde çevirin (önden bakıldığında saatin ters yönünde). (Şekil 3)

6. Yan kolun takılması

D10VG ve D13VF için

Matkapla birlikte bir yan kol verilmiştir. Sağ veya sol elle kullanım için aletin her iki tarafına da takılabilir. Yan kolu takmak için aletin istediğiniz tarafındaki sokete vidalayın ve iyice sıkıştırın. (Şekil 4)

D13VG için

Bu matkap motorunun yüksek torku nedeniyle, delme işleri sırasında kollarınıza büyük miktarda tepki kuvveti gelebilir. Bu nedenle, kullanımdan önce yan kolun ve kol mafsalının tamamen takılmış olduğundan kesinlikle emin olun. (Şekil 5)

7. Dönme yönünü kontrol edin (Şekil 6)

Kilit iğnesinin R tarafına basıldığında uç saat yönünde (arkadan bakıldığında) döner. Ucu saatin ters yönünde döndürmek için kilit iğnesinin L tarafına basılır.

(L) ve (R) işaretleri gövdenin üzerindedir.)

8. Açı ünitesinin takılması. (D13VF ve D13VG için isteğe bağlı aksesuar)

- (1) Mandrenin matkaptan çıkarılması (Şekil 7)
- Mandreni matkaptan çıkarmak için, mandren ağızını olabildiğince açın ve kilit vidasını dışarıya (sol dişi) çevirin. Bu vida mandreni mile kilitlet. Ve matkabı, sabit bir tezgahın kenarında sadece mandrenin sağlam ve

düz duracağı şekilde tutun. Alyan anahtarını mandrene takın. Mandreni anahtar tezgah üstüne yaklaşık 30°'lik bir açıda oluncaya kadar çevirin ve ardından mandrenin saatin ters yönünde dönceği şekilde (önden görünüş) anahtara bir çekiçle sertçe vurun. Bunun, sağ dişi olan mandreni milden gevşetmesi gerekir ve böylece mandreni elle çıkarabilirsiniz.

DİKKAT:

Mandreni anahtara vurarak çıkaramazsanız, anahtara kuvvetle vurmayın. Matkabı bir Hitachi yetkili Servis Merkezine gönderin.

(2) Açı ünitesinin takılması.

- Mandreni çıkardıktan sonra matkap miline bağlantı parçasını takın. Mafsal segmanını dişi kapağına takın, açı ünitesini mafsal segmanının diğer ucuna takın ve bağlantı parçasının açı ünitesinin milinin alt kısmına geçmesi için açı ünitesini herhangi bir yönde çevirin. Açı ünitesinin yönünü ayarlayın ve sıkıştırma pimleriyle sıkıştırın.

İki sıkıştırma pimini sırayla kademeli olarak ve eşit şekilde 70–80kg-cm'lik bir torka sıkıştırın. (sıkıştırma pimlerine açık uçlu anahtar kullanılarak sadece bilekle uygulanabilecek kuvvet.). (Şekil 8)

- Açı ünitesini düşük hızda çalıştırmak için mandreni, açı ünitesini miline "DÜŞÜK" yazan taraftan takın ve kilitleme vidasını sıkıştırın. Bu ayarda, matkap hızı yaklaşık %70'e düşer ve matkap torku yaklaşık %150 artar. (Şekil 9)

- Açı ünitesini yüksek hızda çalıştırmak için mandreni, açı ünitesi miline "YÜKSEK" yazan taraftan takın ve kilitleme vidasını sıkıştırın. Bu ayarda, matkap hızı %150 artar ve matkap torku %70'e düşer. (Şekil 10)
- (3) Yan kolun takılması (Şekil 11)

Sağ veya sol elle kullanım için yan kol her iki tarafa da takılabilir. Yan kolu takmak için açı ünitesinin istenen tarafındaki sokete vidalayın ve iyice sıkıştırın.

- (4) Mandrenin açı ünitesinden çıkarılması (Şekil 12)
- Mandren açı ünitesinden matkaptan çıkarıldığı gibi çıkartılabilir ancak, MANDRENİ GEVŞETMEYE ÇALIŞMADAN ÖNCE DAİMA AÇI ÜNİTESİNİ MATKAPTAN ÇIKARIN. Bu, matkabın dişlilerinin hasar görmesini önleyecektir. Mandreni gevşetmeye başlamadan önce açı ünitesini tutmak için aletle birlikte verilen açık uçlu anahtarı kullanın.

DİKKAT:

Mandreni anahtara vurarak çıkaramazsanız, anahtara kuvvetle vurmayın. Matkabı bir Hitachi yetkili Servis Merkezine gönderin.

- 9. Askının takılması. (İsteğe bağlı aksesuar) (Şekil 13)
- Askıyı takmak için, aletin elektrik sistemini örten sap bölümünün sökmek gerekir. Kendi güvenliğinizi ve elektrik çarpmasına karşı korunmanız için bu matkapta askı sadece Hitachi yetkili Servis Merkezi tarafından takılmalıdır.

DİKKAT:

Alet, askı takılı olarak kullanıldığında aşağıdaki hususlara dikkat edin:

- Ana üniteyi bel kayışına asmadan önce matkabın tamamen durduğundan emin olun. Bel kayışına asılıyken, fişin güç kaynağından sökülmüş olması gerekir.
- Alet bel kayışına asılıyken dolaşmayın.
- Yüksek bir yerde çalışırken aletin yanlışlıkla düşürülmesi tehlikeli olabilir. Askı deforme olmuşsa veya yanlış yerden asılmışsa, askının kayması ve aletin düşmesi tehlikesi vardır. Tehlikelerden kaçınmaya özen gösterin.

- İki tarafı açık bir delik açarken, örneğin, üzerinde çalıştığınız parça delindiğinde alet bazen şiddetli bir şekilde sallanır. Böyle bir durumda askının sizi yaralamamasına özen gösterin.

NASIL KULLANILIR

1. Şalterin çalışması

- Anahtara basıldığında alet döner. Anahtar bırakıldığında alet durur.
- Matkabın dönme hızı anahtar şalterinin çekilme miktarını değiştirerek kontrol edilebilir. Anahtar şalteri hafifçe çekildiğinde hız düşüktür, şalter daha fazla çekildiğinde hız artar.
- Anahtarı çekip durdurucuyu ittiğinizde, sürekli çalışma için rahat olacak şekilde matkap açık kalır. Kapatılırken, durdurucu anahtarı yeniden çekerek ayrılabilir.

2. Delik delme

- Delik delme sırasında matkabı önce yavaş çalıştırın sonra çalışırken hızı kademeli olarak artırın.
- Uçla daima düz bir çizgi halinde baskı uygulayın. Delik delmeye yetecek kadar baskı uygulayın ama motoru durduracak veya ucu eğecek kadar sert itmeyin.
- Matkabın durmasını veya malzemenin kırılmasını en aza indirmek için deliğin sonuna doğru matkabın üzerindeki baskıyı azaltın ve ucu rahatlatın.
- Matkap duracak olursa, anahtarı hemen serbest bırakın, ucu üzerinde çalıştığınız işten ayırın ve tekrar başlayın. Durmuş bir matkabı yeniden çalıştırmak için anahtarı açıp kapamayın. Bu, matkaba zarar verebilir.
- Matkap ucunun çapı arttıkça kolunuza gelen tepki kuvveti daha yüksek olur. Bu kuvvetten dolayı matkabın kontrolünü kaybetmemeye özen gösterin. Kontrolü koruyabilmek için ayağınızı sağlam basın, yan kolu kullanın, matkabı iki elinizle sıkı tutun ve matkabın delinen malzemeye dik durduğundan emin olun.

BAKIM VE İNCELEME

1. Matkap uçlarının incelenmesi

Yıpranmış matkap uçlarının kullanılması motorda arızaya ve verimlilikte düşüğe neden olacağından, yıpranma gördüğünüzde matkap uçlarını yenisiyle değiştirin veya bileyin.

2. Montaj vidalarının incelenmesi

Tüm montaj vidalarını düzenli olarak inceleyin ve sağlam şekilde sıkılı olduğundan emin olun. Gevşeyen vidaları derhal sıkın. Gevşemiş vidalar ciddi tehlikelere yol açabilir.

3. Motorun incelenmesi

Motor biriminin sargıları, bu ağır iş aletinin "kalbidir". Sargının hasar görmediğinden ve/veya yağ ya da su ile ıslanmadığından emin olun.

4. Karbon fırçaların gözden geçirilmesi

Güvenli kullanım için ve elektrik şokuna karşı koruma sağlamak amacıyla bu takım üzerindeki karbon fırçaların gözden geçirilmesi ve değiştirilmesi YALNIZCA Hitachi yetkili Servis Merkezi tarafından yapılmalıdır.

5. Servis parçaları listesi

- A: Parça no.
- B: Kod no.
- C: Kullanılan sayı
- D: Açıklamalar

DİKKAT

Hitachi Güç Takımlarının onarımı, modifikasyonu ve gözden geçirilmesi Hitachi yetkili Servis Merkezi tarafından yapılmalıdır.

Hitachi yetkili Servis Merkezine tamir ya da bakım amacıyla başvurulduğunda Parça Listesinin takım ile birlikte verilmesi faydalı olacaktır.

Güç takımlarının çalıştırılması ve bakımlarının yapılması esnasında her ülke için belirlenen güvenlik düzenlemelerine ve standartlarına uyulması gerekmektedir.

DEĞİŞİKLİKLER

Hitachi Ağır İş Aletleri en son teknolojik ilerlemelere uygun olarak sürekli değiştirilmekte ve geliştirilmektedir. Dolayısıyla, bazı kısımlarda (örneğin kod numaraları ve/veya tasarım gibi) önceden bildirimde bulunulmadan değişiklik yapılabilir.

GARANTİ

Hitachi Elektrikli El Aletlerine ülkelere özgü hukuki düzenlemeler çerçevesinde garanti vermekteyiz. Bu garanti, yanlış veya kötü kullanım, normal aşınma ve yıpranmadan kaynaklanan arıza ve hasarları kapsamamaktadır. Şikayet durumunda, Elektrikli El Aleti, sökülmemiş bir şekilde, bu kullanım kılavuzunun sonunda bulunan GARANTİ BELGESİYLE birlikte bir Hitachi yetkili servis merkezine gönderilmelidir.

NOT

HITACHI'nin süregelen araştırma ve geliştirme programına bağlı olarak burada belirtilen teknik özelliklerde önceden bildirimde bulunulmadan değişiklik yapılabilir.

Havadan yayılan gürültü ve titreşimle ilgili bilgiler
Ölçülen değerlerin EN60745 ve ISO 4871'e uygun olduğu tespit edilmiştir.

[D13VG]

Ölçülmüş A-ağırlıklı ses basınç seviyesi: 84 dB (A)
Belirsiz KpA: 3dB (A)

Kulak koruyucusu kullanın.

Tipik ağırlıklı ortalama karekök ivme değeri: 2,5 m/s².

ОБЩИЕ ПРАВИЛА БЕЗОПАСНОСТИ ПРИ РАБОТЕ С ЭЛЕКТРОИНСТРУМЕНТОМ

⚠ ПРЕДУПРЕЖДЕНИЕ

Прочтите все правила безопасности и инструкции.

Не выполнение правил и инструкций может привести к поражению электрическим током, пожару и/или серьезной травме.

Сохраняйте все правила и инструкции на будущее.

Термин "электроинструмент" в контексте всех мер предосторожности относится к эксплуатируемому Вами электроинструменту с питанием от сетевой розетки (с сетевым шнуром) или электроинструменту с питанием от аккумуляторной батареи (беспроводному).

1) Безопасность на рабочем месте

a) Поддерживайте чистоту и хорошее освещение на рабочем месте.

Беспорядок и плохое освещение приводят к несчастным случаям.

b) Не используйте электроинструменты во взрывоопасных окружающих условиях, например, в непосредственной близости огнеопасных жидкостей, горючих газов или легковоспламеняющейся пыли.

Электроинструменты порождают искры, которые могут воспламенить пыль или испарения.

c) Держите детей и наблюдающих на безопасном расстоянии во время эксплуатации электроинструмента.

Отвлечение внимания может стать для Вас причиной потери управления.

2) Электробезопасность

a) Сетевые вилки электроинструментов должны соответствовать сетевой розетке.

Никогда не модифицируйте штепсельную вилку никоим образом.

Не используйте никакие адаптерные переходники с заземленными (замкнутыми на землю) электроинструментами.

Немодифицированные штепсельные вилки и соответствующие им сетевые розетки уменьшат опасность поражения электрическим током.

b) Не прикасайтесь телом к заземленным поверхностям, например, к трубопроводам, радиаторам, кухонным плитам и холодильникам.

Если Ваше тело соприкоснется с заземленными поверхностями, возрастет опасность поражения электрическим током.

c) Не подвергайте электроинструменты действию воды или влаги.

При попадании воды в электроинструмент возрастет опасность поражения электрическим током.

d) Правильно обращайтесь со шнуром. Никогда не переносите электроинструмент, взявшись за шнур, не тяните за шнур и не дергайте за шнур с целью отсоединения электроинструмента от сетевой розетки. Располагайте шнур подальше от источников тепла, нефтепродуктов, предметов с острыми кромками и движущихся деталей.

Поврежденные или запутанные шнуры увеличивают опасность поражения электрическим током.

e) При эксплуатации электроинструмента вне помещений, используйте удлинительный шнур, предназначенный для использования вне помещения.

Использование шнура, предназначенного для работы вне помещений, уменьшит опасность поражения электрическим током.

f) При эксплуатации электроинструмента во влажной среде, используйте устройство защитного отключения (RCD) источника питания.

Использование RCD уменьшит опасность поражения электрическим током.

3) Личная безопасность

a) Будьте готовы к неожиданным ситуациям, внимательно следите за своими действиями и руководствуйтесь здравым смыслом при эксплуатации электроинструмента.

Не используйте электроинструмент, когда Вы устали или находитесь под влиянием наркотиков, алкоголя или лекарственных препаратов.

Мгновенная потеря внимания вовремя эксплуатации электроинструментов может привести к серьезной травме.

b) Используйте индивидуальные средства защиты. Всегда надевайте средства защиты глаз.

Защитное снаряжение, например, противопылевой респиратор, защитная обувь с нескользящей подошвой, защитный шлем-каска или средства защиты органов слуха, используемые для соответствующих условий, уменьшат травмы.

c) Избегайте непреднамеренного включения двигателя. Убедитесь в том, что выключатель находится в положении выключения перед подниманием, переноской или подсоединением к сетевой розетке и/или портативному батарейному источнику питания.

Переноска электроинструментов, когда Вы палец держите на выключателе, или подсоединение электроинструментов к сетевой розетке, когда выключатель будет находиться в положении включения, приводит к несчастным случаям.

d) Снимите все регулировочные или гаечные ключи перед включением электроинструмента.

Гаечный или регулировочный ключ, оставленный прикрепленным к вращающейся детали электроинструмента, может привести к получению травмы.

e) Не теряйте устойчивости. Все время имейте точку опоры и сохраняйте равновесие.

Это поможет лучше управлять электроинструментом в непредвиденных ситуациях.

f) Одевайтесь надлежащим образом. Не надевайте просторную одежду или ювелирные изделия. Держите волосы, одежду и перчатки как можно дальше от движущихся частей.

Просторная одежда, ювелирные изделия или длинные волосы могут попасть в движущиеся части.

g) Если предусмотрены устройства для присоединения приспособлений для отвода и сбора пыли, убедитесь в том, что они присоединены и используются надлежащим образом.

Использование данных устройств может уменьшить опасности, связанные с пылью.

4) Эксплуатация и обслуживание электроинструментов

a) Не перегружайте электроинструмент. Используйте надлежащий для Вашего применения электроинструмент.

Надлежащий электроинструмент будет выполнять работу лучше и надежнее в том режиме работы, на который он рассчитан.

- b) Не используйте электроинструмент с неисправным выключателем, если с его помощью нельзя будет включить и выключить инструмент.

Каждый электроинструмент, которым нельзя управлять с помощью выключателя, будет представлять опасность, и его будет необходимо отремонтировать.

- c) Отсоедините штепсельную вилку от источника питания и/или портативный батарейный источник питания от электроинструмента перед началом выполнения какой-либо из регулировок, перед сменой принадлежностей или хранением электроинструментов.

Такие профилактические меры безопасности уменьшат опасность непреднамеренного включения двигателя электроинструмента.

- d) Храните неиспользуемые электроинструменты в недоступном для детей месте, и не разрешайте людям, не знающим как обращаться с электроинструментом или не изучившим данное руководство, работать с электроинструментом.

Электроинструменты представляют опасность в руках неподготовленных пользователей.

- e) Содержите электроинструменты в исправности. Проверьте, нет ли несоосности или заедания движущихся частей, повреждения деталей или какого-либо другого обстоятельства, которое может повлиять на функционирование электроинструментов.

При наличии повреждения отремонтируйте электроинструмент перед его эксплуатацией.

Большое количество несчастных случаев связано с плохим обслуживанием электроинструментов.

- f) Содержите режущие инструменты остро заточенными и чистыми.

Надлежащим образом содержащиеся в исправности режущие инструменты с острыми режущими кромками будут меньше заедать и будут легче в управлении.

- g) Используйте электроинструмент, принадлежности, насадки и т.п. в соответствии с данным руководством, принимая во внимание условия и объем выполняемой работы.

Использование электроинструмента для выполнения работ не по прямому назначению может привести к опасной ситуации.

5) Обслуживание

- a) Обслуживание Вашего электроинструмента должно выполняться квалифицированным представителем ремонтной службы с использованием только идентичных запасных частей.

Это обеспечит сохранность и безопасность электроинструмента.

МЕРА ПРЕДОСТОРОЖНОСТИ

Держите подальше от детей и немощных людей.

Если инструменты не используются, их следует хранить в недоступном для детей и немощных людей месте.

МЕРЫ ПРЕДОСТОРОЖНОСТИ ПО ИСПОЛЬЗОВАНИЮ ЭЛЕКТРОДРЕЛИ

- Одевайте наушники во время работы с ударной дрелью.**
Воздействие шума может привести к потере слуха.
- Используйте ручки, прилагаемые к инструменту.**
Потеря контроля над инструментом может привести к травме.
- Надежно удерживайте электродрель и боковую рукоятку обеими руками во время работы.
- Не надевайте перчатки, сделанные из скатывающегося материала, например, хлопка, шерсти, байки или нитяные перчатки и т.п.
- Перед сверлением отверстий в стенах, потолках или полах, обязательно убедитесь в отсутствии проложенных внутри электрических кабелей или кабельных каналов.

ТЕХНИЧЕСКИЕ ХАРАКТЕРИСТИКИ

Модель		D10VF	D10VG	D13VF	D13VG	
Напряжение (по регионам)*		(110 В, 220 В, 230 В, 240 В) √				
Потребляемая мощность		710 Вт*				
Число оборотов холостого хода		0–3,000мин ⁻¹	0–1,200мин ⁻¹	0–850мин ⁻¹	0–600мин ⁻¹	
Производительность зажимного патрона сверла		10 мм		13 мм		
Диаметр бурения	Сталь	Спиральное сверло	10 мм	10 мм	13 мм	13 мм
		Кольцевая пила	–	38 мм	51 мм	70 мм
	Дерево	Перовое заостренное сверло	25 мм	32 мм	40 мм	40 мм
		Червячное сверло	–	–	32 мм	38 мм
		Кольцевая пила	29 мм	70 мм	102 мм	114 мм
Вес (без шнура)						
Только для зажимного патрона с переключателем		1,8 кг	1,9 кг	2,1 кг	2,1 кг	
Только для зажимного патрона без переключателя		1,8 кг	1,9 кг	2,0 кг	2,0 кг	

* Проверьте паспортную табличку на изделии, так как она меняется в зависимости от региона

(Производительность с угловым приспособлением (Дополнительная принадлежность для D13VF и D13VG))

Модель			D13VF		D13VG	
Скорость углового элемента			НИЗКАЯ (650мин ⁻¹)	ВЫСОКАЯ (1350мин ⁻¹)	НИЗКАЯ (400мин ⁻¹)	ВЫСОКАЯ (900мин ⁻¹)
Диаметр бурения	Сталь	Спиральное сверло	13 мм	13 мм	13 мм	13 мм
		Кольцевая пила	64 мм	32 мм	70 мм	51 мм
	Дерево	Перовое заостренное сверло	40 мм	32 мм	40 мм	40 мм
		Червячное сверло	38 мм	29 мм	38 мм	32 мм
		Кольцевая пила	114 мм	64 мм	114 мм	102 мм

СТАНДАРТНЫЕ АКСЕССУАРЫ

(D10VF)

(1) Патронный гаечный ключ
(только для зажимного патрона с переключателем) ... 1

(D10VG и D13VF)

(1) Боковая рукоятка 1

(2) Патронный гаечный ключ
(только для зажимного патрона с переключателем) ... 1

(D13VG)

(1) Боковая рукоятка 1

(2) Крепление рукоятки 1

(3) Патронный гаечный ключ
(только для зажимного патрона с переключателем) ... 1

Набор стандартных аксессуаров может быть без предупреждения изменён.

ДОПОЛНИТЕЛЬНЫЕ АКСЕССУАРЫ

(продаются отдельно)

(D10VF)

(1) Боковая рукоятка

(2) Крючок (А)

(D10VG)

(1) Крючок (А)

(D13VF и D13VG)

(1) Крючок (А)

(2) Угловое приспособление

Набор дополнительных аксессуаров может быть без предупреждения изменён.

ОБЛАСТЬ ПРИМЕНЕНИЯ

○ Сверление отверстий в металле, дереве и пластмассе.

ПОДГОТОВКА К ЭКСПЛУАТАЦИИ

1. Источник электропитания

Проследите за тем, чтобы используемый источник электропитания соответствовал требованиям к источнику электропитания, указанным на типовой табличке изделия.

2. Переключатель "Вкл./Выкл."

Убедитесь в том, что переключатель находится в положении "Выкл.". Если вы вставляете штепсель в розетку, а переключатель находится в положении "Вкл.", инструмент немедленно заработает, что может стать причиной серьёзной травмы.

3. Удлинитель

Когда рабочая площадка удалена от источника электропитания, пользуйтесь удлинителем. Удлинитель должен иметь требуемую площадь поперечного сечения и обеспечивать работу инструмента заданной мощности. Разматывайте удлинитель только на реально необходимую для данного конкретного применения длину.

4. Выбор подходящего сверла:

- При сверлении металла или пластмассы Используйте обычные сверла для сверления металлоконструкций.
- При сверлении дерева Используйте обычные сверла для сверления деревянных конструкций. Однако при сверлении отверстий 6,5 мм или менее, используйте сверло для сверления металлоконструкций.

5. Установка и снятие сверла

Для зажимного патрона с переключателем (Рис. 1)

- (1) Откройте кулачки зажимного патрона и вставьте сверло в зажимной патрон.
- (2) Вставьте патронный гаечный ключ в каждое из трех отверстий зажимного патрона и поверните в направлении по часовой стрелке (если смотреть спереди). Надежно затяните.
- (3) Для снятия сверла, вставьте патронный гаечный ключ в одно из отверстий зажимного патрона и поверните в направлении против часовой стрелки.

Для зажимного патрона без переключателя (Рис. 2)

- (1) Откройте кулачки зажимного патрона и вставьте сверло в зажимной патрон.
Для того чтобы открыть кулачки зажимного патрона, удерживайте кольцо в то время, когда поворачиваете обод в направлении против часовой стрелки (если смотреть спереди).
- (2) Крепко держите кольцо и поверните обод в направлении по часовой стрелке. Надежно затяните.
- (3) Для снятия сверла, крепко держите кольцо и поверните обод в направлении против часовой стрелки.
- (4) Если возникнет затруднение при ослаблении обода, зафиксируйте шпиндель при помощи гаечного ключа с открытым зевом, крепко возьмитесь за обод и поверните его в направлении ослабления (против часовой стрелки, если смотреть спереди). (Рис. 3)

6. Установка боковой рукоятки

Для D10VG и D13VF

А Боковая рукоятка поставляется вместе с электродрелью.

Рукоятку можно установить на любую из двух сторон электродрели для правостороннего или левостороннего использования.

Для того чтобы установить боковую рукоятку, винтите ее в гнездо на нужной стороне электродрели, и надежно затяните. (Рис. 4)

Для D13VG

Большой крутящий момент двигателя данной электродрели может привести к значительной отдаче, действующей на Ваши руки во время сверления. Соответственно, перед использованием необходимо совершенно точно убедиться в том, что боковая

рукоятка и крепление рукоятки полностью установлены. (Рис. 5)

7. Проверка направления вращения (Рис. 6)

Сверло вращается по часовой стрелке (если смотреть сзади) при нажатии на нажимную кнопку со стороны R.

Для того чтобы сверло вращалось против часовой стрелки, необходимо нажать на нажимную кнопку со стороны L.

(На корпусе электродрели предусмотрены метки (L) и (R).)

8. Прикрепление углового элемента. (Дополнительная принадлежность для D13VF и D13VG)

(1) Снятие зажимного патрона с электродрели (Рис. 7)

- Для снятия зажимного патрона с электродрели, открутите по мере возможности кулачки зажимного патрона и выкрутите стопорный винт (левосторонняя резьба). Данный винт фиксирует зажимной патрон на шпинделе. А электродрель удерживайте таким образом, чтобы только зажимной патрон оставался совершенно неподвижным и лежал прямо на краю твердого верстака. Вставьте гаечный ключ в виде шестигранного стержня в зажимной патрон.

Поворачивайте зажимной патрон до тех пор, пока гаечный ключ не будет стоять под углом примерно 30° к поверхности верстака и резко ударьте молотком по гаечному ключу, чтобы зажимной патрон повернулся в направлении против часовой стрелки (если смотреть спереди). Это действие должно привести к ослаблению затяжки зажимного патрона на шпинделе, который имеет правостороннюю резьбу, и Вы сможете возможность снять зажимной патрон рукой.

ОСТОРОЖНО:

Если зажимной патрон будет невозможно снять ударом по гаечному ключу, не бейте по гаечному ключу слишком сильно, а отошлите электродрель в авторизованный сервисный центр Hitachi.

(2) Прикрепление углового элемента.

- После снятия зажимного патрона, посадите муфту на шпиндель электродрели. Установите соединительный обод на крышку привода, прикрепите угловой элемент к другому концу соединительного обода и слегка поверните угловой элемент в любом направлении для того, чтобы шестигранная часть шпинделя углового элемента вошла в шестигранное отверстие в муфте. Отрегулируйте направление углового элемента и затяните соединительный обод стяжными болтами. Затягивайте два стяжных болта по очереди равномерно и понемногу с крутящим моментом равным 70-80 кг-см. (степень усилия, которое может быть получено только при помощи захвата гаечным ключом с открытым зевом, предусмотренным для затяжки стяжных болтов). (Рис. 8)

- Для эксплуатации углового элемента с низкой скоростью, установите зажимной патрон на шпиндель углового элемента со стороны с меткой "LOW" и надежно закрепите стопорный винт. При данной установке, скорость при сверлении уменьшится примерно до 70%, а крутящий момент при сверлении увеличится примерно до 150%. (Рис. 9)

- Для эксплуатации углового элемента с высокой скоростью, установите зажимной патрон на шпиндель углового элемента со стороны с меткой "HIGH" и надежно закрепите стопорный винт. При данной установке, скорость при сверлении увеличится примерно до 150%, а крутящий момент при сверлении уменьшится примерно до 70%. (Рис. 10)

(3) Установка боковой рукоятки (Рис. 11)

Боковую рукоятку можно установить на любую из двух сторон углового элемента для правостороннего или левостороннего использования.

Для того чтобы установить боковую рукоятку, ввинтите ее в гнездо на нужной стороне углового элемента, и надежно затяните.

(4) Снятие зажимного патрона с углового элемента (Рис. 12)

- Зажимной патрон может быть снят с углового элемента таким же образом, как его снимают с электродрели; однако, ВСЕГДА СНИМАЙТЕ УГЛОВОЙ ЭЛЕМЕНТ С ЭЛЕКТРОДРЕЛИ ПЕРЕД ТЕМ, КАК ПРИСТУПИТЕ К ОСЛАБЛЕНИЮ ЗАТЯЖКИ ЗАЖИМНОГО ПАТРОНА. Это действие предотвратит повреждение привода электродрели. Используйте гаечный ключ с открытым зевом, предусмотренный для удержания шпинделя углового элемента перед тем, как приступите к ослаблению затяжки зажимного патрона.

ОСТОРОЖНО:

Если зажимной патрон будет невозможно снять ударом по гаечному ключу, не бейте по гаечному ключу слишком сильно, а отошлите электродрель в авторизованный сервисный центр Hitachi.

9. Прикрепление крючка. (Дополнительная принадлежность) (Рис. 13)

Для того чтобы прикрепить крючок необходимо снять участок рукоятки, который закрывает электрическую систему инструмента. С целью обеспечения Вашей безопасности и защиты от поражения электрическим током, установку крючка на данную электродрель должны выполнять ТОЛЬКО специалисты авторизованного сервисного центра Hitachi.

ОСТОРОЖНО:

При использовании электроинструмента с прикрепленным к нему крючком, обратите внимание на следующие пункты:

- Перед тем как повесить главный аппарат на поясной ремень, обязательно убедитесь в том, что электродрель полностью остановлена.
- В то время, когда электродрель свисает с поясного ремня, вилка должна быть отсоединена от источника питания.
- Не прохаживайтесь с электроинструментом, свисающим с поясного ремня.
- В случае работы на возвышении возникнет опасность непреднамеренно уронить инструмент. Если крючок поврежден или электродрель свисает в неправильном положении, возникнет опасность соскальзывания крючка и падения инструмента.
- Будьте осторожны для того, чтобы избежать опасности.
- При сверлении сквозного отверстия электроинструмент иногда может очень сильно встряхнуть, например, когда обрабатываемая конструкция будет просверлена насквозь. Будьте осторожны, не пострадайте от крючка, если случится такая ситуация.

ИСПОЛЬЗОВАНИЕ

1. Операция включения

- Инструмент вращается при нажатом пускателе. Инструмент останавливается при отпущенном пускателе.
- Скорость вращения электродрели можно регулировать изменением усилия, приложенного к пускателю переключателя. Если пускатель тянуть с легким усилием, скорость будет низкой, а с увеличением усилия, приложенного для натяжения пускателя, скорость будет увеличиваться.

- Натяжением пускателя и нажатием на ограничитель можно поддерживать электродрель во включенном состоянии, что очень удобно при длительной работе. При выключении ограничитель может быть отключен при натяжении пускателя еще раз.

2. Сверление

- При сверлении, запускайте электродрель медленно и увеличивайте скорость постепенно по мере сверления.
- Всегда нажимайте на электродрель прямо по линии сверла. Прилагайте достаточное усилие при нажатии на электродрель для продолжения сверления, но не нажимайте на нее сильными толчками, чтобы не заглох электродвигатель или не сломалось сверло.
- Для того, чтобы уменьшить до минимума возможность потери скорости или пролом сквозь материал, уменьшите усилие нажатия на электродрель и давление на сверло при сверлении последнего участка отверстия.
- Если электродрель заглохнет, немедленно отпустите пускатель, выньте сверло из сделанного отверстия и начните еще раз. Не щелкайте пускателем, переключая из положения включения в положение выключения при попытке запустить заглохший двигатель электродрели. Это может привести к повреждению электродрели.
- Чем больше диаметр сверла, тем сильнее отдача, действующая на Ваши руки. Будьте осторожны, не потеряйте способность управлять электродрелью вследствие действия отдачи. Для поддержания способности надежно управлять электродрелью, примите устойчивое положение, используйте боковую рукоятку, крепко держите электродрель обеими руками и обеспечьте вертикальное положение электродрели по отношению к материалу, который Вы сверлите.

ТЕХНИЧЕСКОЕ ОБСЛУЖИВАНИЕ И ПРОВЕРКА

1. Осмотр сверла электродрели

Так как использование изношенных сверл приводит к неисправности двигателя и к снижению эффективности, заменяйте сверла новыми сверлами или заточивайте сверла сразу же, как только заметите признаки износа

2. Проверка установленных винтов

Регулярно проверяйте все установленные на инструменте винты, следите за тем, чтобы они были как следует затянуты. Немедленно затяните винт, который окажется ослабленным. Невыполнение этого правила грозит серьезной опасностью.

3. Техническое обслуживание двигателя

Обмотка двигателя - "сердце" электроинструмента. Проявляйте должное внимание, следя за тем, чтобы обмотка не была повреждена и/или залита маслом или водой.

4. Проверка угольных щеток

Чтобы обеспечить Вашу безопасность и защитить от поражения электрическим током, осмотр и замену угольных щеток этого инструмента следует проводить ТОЛЬКО в авторизованном сервисном центре Hitachi.

5. Порядок записей по техобслуживанию

- A: Пункт №
- B: Код №
- C: Количество применений
- D: Замечания

ПРЕДОСТЕРЕЖЕНИЕ:

Ремонт, модификацию и осмотр механизированного инструмента фирмы Hitachi следует проводить в авторизованном сервисном центре Hitachi.

Этот перечень запасных частей пригодится при представлении его вместе с инструментом в авторизованный сервисный центр Hitachi с запросом на ремонт или прочее обслуживание.

При работе и обслуживании механизированных инструментов нужно соблюдать правила и стандарты безопасности, действующие в каждой данной стране.

ЗАМЕЧАНИЕ

Фирма HITACHI непрерывно работает над усовершенствованием своих изделий, поэтому мы сохраняем за собой право на внесение изменений в технические характеристики, упомянутые в данной инструкции по эксплуатации, без предупреждения об этом.

ГАРАНТИЯ

Мы гарантируем соответствие автоматических инструментов Hitachi нормативным/национальным положениям. Данная гарантия не распространяется на дефекты или ущерб, возникший вследствие неправильного использования или ненадлежащего обращения, а также нормального износа. В случае подачи жалобы отправляйте автоматический инструмент в неразобранном состоянии вместе с ГАРАНТИЙНЫМ СЕРТИФИКАТОМ, который находится в конце инструкции по обращению, в авторизованный центр обслуживания Hitachi.

ПРИМЕЧАНИЕ

На основании постоянных программ исследования и развития, HITACHI оставляют за собой право на изменение указанных здесь технических данных без предварительного уведомления.

Информация, касающаяся создаваемого шума и вибрации

Измеряемые величины были определены в соответствии с EN60745 и заявлены в соответствии с ISO 4871.

[D13VG]

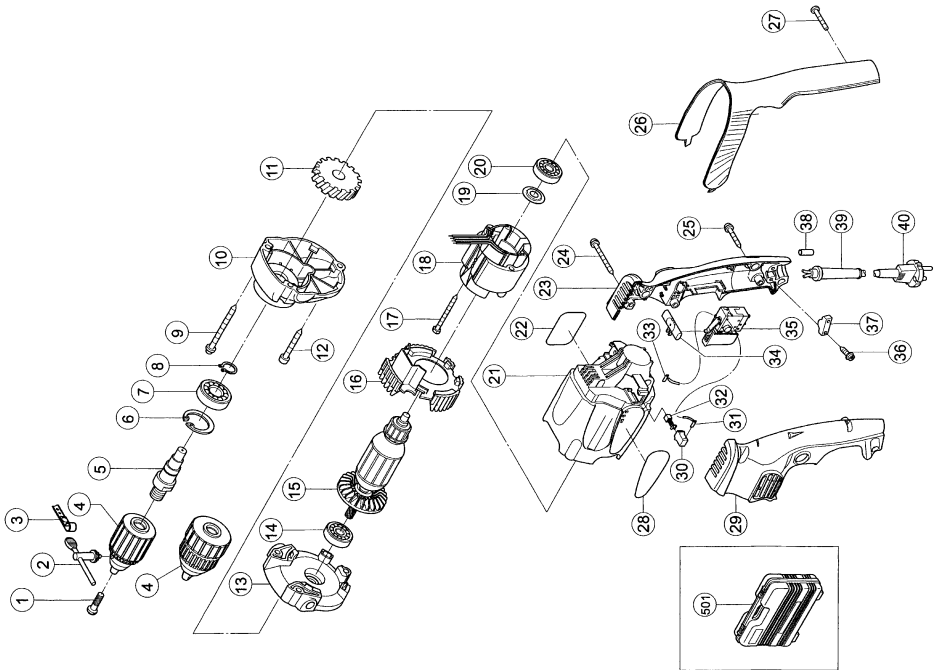
Измеренный средневзвешенный уровень звукового давления: 84 дБ (A)
Погрешность Кра: 3 дБ (A)

Надевайте наушники.

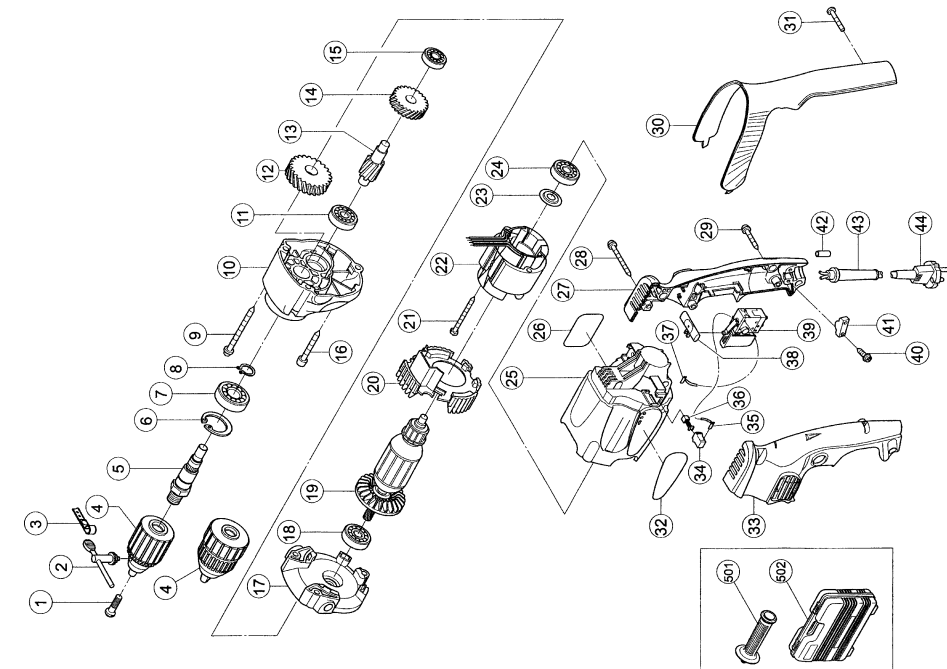
Типичное значение вибрации: 2,5 м/с².

D10VF

A	B	C	D	A	B	C	D		
1	311-959	1	M6×23	31	1	320-197	1	220-230V	
2	319-529	1	10VLR-J	31	2	320-204	1	110V	
3	950-288	1		32		999-041	2		
4	1	319-342	1	10VLR-J "2"	33	1	320-196	1	220-230V
4	2	319-343	1	10VLRD-N	33	2	320-203	1	110V
5	319-335	1		34		316-166	1		
6	948-001	1		35	1	320-195	1	220-230V	
7	600-2VV	1	6002VCMFS2L	35	2	319-339	1	110V	
8	939-544	1		36		984-750	2	D4×16	
9	317-449	2	D5×50	37		937-631	2		
10	319-334	1		38		981-373	2		
11	319-336	1		39		953-327	1		
12	316-458	1	D5×40	40		_____	1		
13	319-333	1		501		319-543	1		
14	608-DDM	1	608DDC2PS2L						
15	1	360-542E	1	220-230V					
15	2	360-542U	1	110V					
16	319-329	1							
17	981-421	2	D4×55						
18	1	340-504E	1	230V					
18	2	340-486E	1	220V					
18	3	340-486D	1	110V					
19	982-631	1							
20	608-VVM	1	608VVC2PS2L						
21	319-328	1							
22	_____	1							
23	319-331	1							
24	303-694	2	D4×35						
25	301-653	1	D4×20						
26	319-332	1							
27	319-337	2	D4×25						
28	_____	1							
29	319-330	1							
30	955-203	2							



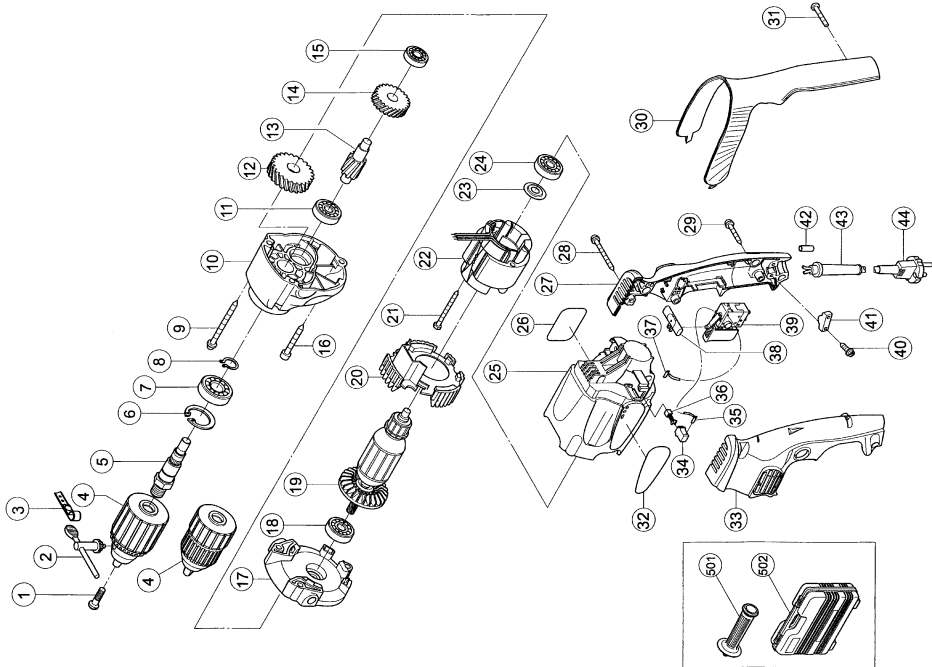
D10VG



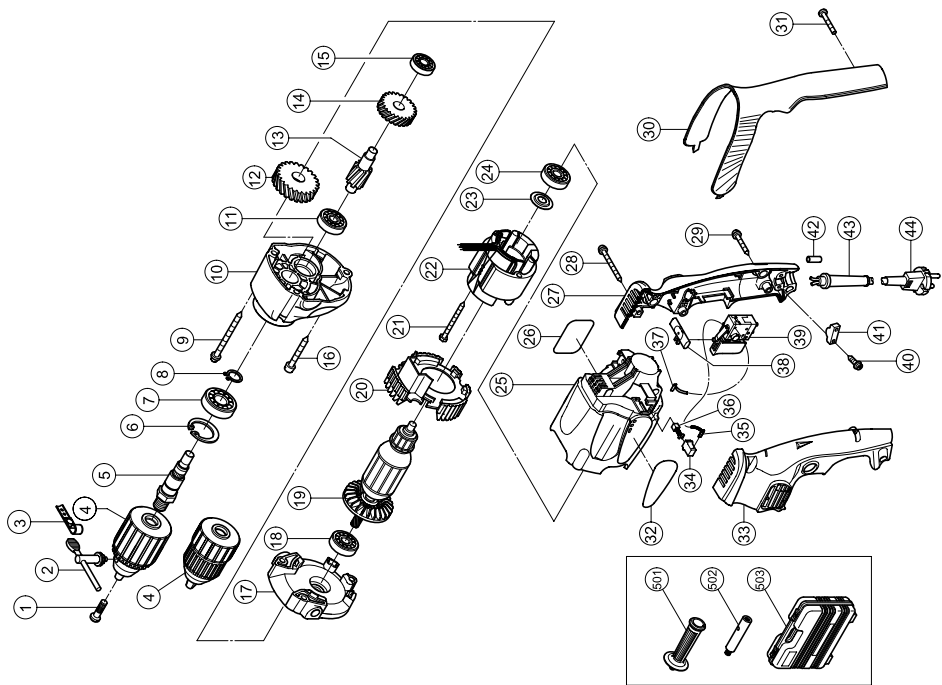
A	B	C	D	A	B	C	D
1	311-959	1	M6×23	33	319-330	1	
2	319-529	1	10VLR-J	34	955-203	2	
3	950-288	1		35 1	320-197	1	220-230V
4 1	319-342	1	10VLR-J "2"	35 2	320-204	1	110V
4 2	319-343	1	10VLRD-N	36	999-041	2	
5	319-346	1		37 1	320-196	1	220-230V
6	948-001	1		37 2	320-203	1	110V
7	600-2VV	1	6002VCMFSP2L	38	316-166	1	
8	939-544	1		39 1	320-195	1	220-230V
9	305-701	2	D5×60	39 2	319-339	1	110V
10	319-345	1		40	984-750	2	D4×16
11	627-VVM	1	627VVC2PS2L	41	937-631	1	
12	319-347	1		42	981-373	2	
13	319-545	1		43	953-327	1	
14	319-544	1		44	-----	1	
15	606-ZZM	1	606ZZC2PS2L	501	981-205	1	
16	316-458	1	D5×40	502	319-543	1	
17	319-344	1					
18	608-DDM	1	608DDC2PS2L				
19 1	360-543E	1	220-230V				
19 2	360-543U	1	110V				
20	319-329	1					
21	981-421	2	D4×55				
22 1	340-504E	1	230V				
22 2	340-486E	1	220V				
22 3	340-486D	1	110V				
23	982-631	1					
24	608-VVM	1	608VVC2PS2L				
25	319-328	1					
26	-----	1					
27	319-331	1					
28	303-694	2	D4×35				
29	301-653	1	D4×20				
30	319-332	1					
31	319-337	2	D4×25				
32	-----	1					

D13VF

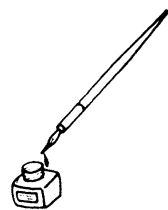
A	B	C	D	A	B	C	D
1	311-959	1	M6x23	33	319-330	1	
2	319-527	1	13VLR-J	34	955-203	2	
3	950-288	1		35	1 320-197	1	220-230V
4	1 319-303	1	13VLR-J "2"	35	2 320-204	1	110V
4	2 319-304	1	13VLRD-N	36	999-041	2	
5	319-346	1		37	1 320-196	1	220-230V
6	948-001	1		37	2 320-203	1	110V
7	600-2VV	1	6002WCMPS2L	38	316-166	1	
8	939-544	1		39	1 320-195	1	220-230V
9	305-701	2	D5x60	39	2 319-339	1	110V
10	319-345	1		40	984-750	2	D4x16
11	627-VVM	1	627VVC2PS2L	41	937-631	1	
12	319-299	1		42	981-373	2	
13	319-547	1		43	953-327	1	
14	319-544	1		44	-----	1	
15	606-ZZM	1	606ZZC2PS2L	501	981-205	1	
16	316-458	1	D5x40	502	319-543	1	
17	319-344	1					
18	608-DDM	1	608DC2PS2L				
19	1 360-543E	1	220-230V				
19	2 360-543U	1	110V				
20	319-329	1					
21	981-421	2	D4x55				
22	1 340-504E	1	220V				
22	2 340-486E	1	230V				
22	3 340-486D	1	110V				
23	982-631	1					
24	608-VVM	1	608VVC2PS2L				
25	319-328	1					
26	-----	1					
27	319-331	1					
28	303-694	2	D4x35				
29	301-653	1	D4x20				
30	319-332	1					
31	319-337	2	D4x25				
32	-----	1					



D13VG



A	B	C	D	A	B	C	D
1	311-959	1	M6×23	33	319-330	1	
2	319-527	1	13VLR-J	34	955-203	2	
3	950-288	1		35 1	320-197	1	220-230V
4 1	319-303	1	13VLR-J "2"	35 2	320-204	1	110V
4 2	319-304	1	13VLRD-N	36	999-041	2	
5	319-346	1		37 1	320-196	1	220-230V
6	948-001	1		37 2	320-203	1	110V
7	600-2VV	1	6002VCMPS2L	38	316-166	1	
8	939-544	1		39 1	320-195	1	220-230V
9	305-701	2	D5×60	39 2	319-339	1	110V
10	319-345	1		40	984-750	2	D4×16
11	627-VVM	1	627VVC2PS2L	41	937-631	1	
12	319-305	1		42	981-373	2	
13	319-548	1		43	953-327	1	
14	319-544	1		44	_____	1	
15	606-ZZM	1	606ZZC2PS2L	501	981-205	1	
16	316-458	1	D5×40	502	319-550	1	
17	319-344	1		503	319-543	1	
18	608-DDM	1	608DDC2PS2L				
19 1	360-543E	1	220-240V				
19 2	360-543U	1	110V				
20	319-329	1					
21	981-421	2	D4×55				
22 1	340-504E	1	230V				
22 2	340-486E	1	220V				
22 3	340-486D	1	110V				
23	982-631	1					
24	608-VVM	1	608VVC2PS2L				
25	319-328	1					
26	_____	1					
27	319-331	1					
28	303-694	2	D4×35				
29	301-653	1	D4×20				
30	319-332	1					
31	319-337	2	D4×25				
32	_____	1					



<p>English</p> <p><u>GARANTEE CERTIFICATE</u></p> <ol style="list-style-type: none"> ① Model No. ② Serial No. ③ Date of Purchase ④ Customer Name and Address ⑤ Dealer Name and Address (Please stamp dealer name and address) 	<p>Magyar</p> <p><u>GARANCIA BIZONYLAT</u></p> <ol style="list-style-type: none"> ① Tipusszám ② Sorozatszám ③ A vásárlás dátuma ④ A Vásárló neve és címe ⑤ A Kereskedő neve és címe (Kérjük ide elhelyezni a Kereskedő nevének és címének pecsétjét)
<p>Deutsch</p> <p><u>GARANTIESCHEIN</u></p> <ol style="list-style-type: none"> ① Modell-Nr. ② Serien-Nr. ③ Kaufdatum ④ Name und Anschrift des Kunden ⑤ Name und Anschrift des Händlers (Bitte mit Namen und Anschrift des Handlers abstempeln) 	<p>Čeština</p> <p><u>ZÁRUČNÍ LIST</u></p> <ol style="list-style-type: none"> ① Model č. ② Série č. ③ Datum nákupu ④ Jméno a adresa zákazníka ⑤ Jméno a adresa prodejce (Prosíme o razítko se jménem a adresou prodejce)
<p>Ελληνικά</p> <p><u>ΠΙΣΤΟΠΟΙΗΤΙΚΟ ΕΓΓΥΗΣΗΣ</u></p> <ol style="list-style-type: none"> ① Αρ. Μοντέλου ② Αύξων Αρ. ③ Ημερομηνία αγοράς ④ Όνομα και διεύθυνση πελάτη ⑤ Όνομα και διεύθυνση μεταπωλητή (Παρακαλούμε να χρησιμοποιηθεί σφραγίδα) 	<p>Türkçe</p> <p><u>GARANTİ SERTİFİKASI</u></p> <ol style="list-style-type: none"> ① Model No. ② Seri No. ③ Satın Alma Tarihi ④ Müşteri Adı ve Adresi ⑤ Bayi Adı ve Adresi (Lütfen bayi adını ve adresini kaşe olarak basın)
<p>Polski</p> <p><u>GWARANCJA</u></p> <ol style="list-style-type: none"> ① Model ② Numer seryjny ③ Data zakupu ④ Nazwa klienta i adres ⑤ Nazwa dealera i adres (Pieczęć punktu sprzedaży) 	<p>Русский</p> <p><u>ГАРАНТИЙНЫЙ СЕРТИФИКАТ</u></p> <ol style="list-style-type: none"> ① Модель № ② Серийный № ③ Дата покупки ④ Название и адрес заказчика ⑤ Название и адрес дилера (Пожалуйста, внесите название и адрес дилера)



HITACHI

①	
②	
③	
④	
⑤	



Hitachi Power Tools Österreich GmbH

Str. 7, Objekt 58/A6, Industriezentrum NÖ –Süd 2355
Wiener Neudorf, Austria
Tel: +43 2236 64673/5
Fax: +43 2236 63373

Hitachi Power Tools Hungary Kft.

1106 Bogancsvirag U.5-7, Budapest, Hungary
Tel: +36 1 2643433
Fax: +36 1 2643429
URL: <http://www.hitachi-powertools.hu>

Hitachi Power Tools Polska Sp.z o.o.

ul. Kleszczowa27
02-485 Warszawa, Poland
Tel: +48 22 863 33 78
Fax: +48 22 863 33 82
URL: <http://www.hitachi-elektronarzedzia.pl>

Hitachi Power Tools Czech s.r.o.

Videnska 102,619 00 Brno, Czech
Tel: +420 547 426 598
Fax: +420 547 426 599
URL: <http://www.hitachi-powertools.cz>

Hitachi Power Tools Netherlands B.V. Moscow Branch

Kashirskoye Shosse Dom 65, 4F
115583 Moscow, Russia
Tel: +7 495 727 4460 or 4462
Fax: +7 495 727 4461
URL: <http://www.hitachi-pt.ru>

Hitachi Power Tools Romania

Str Sf. Gheorghe nr 20-Ferma, Pantelimon, Jud. Ilfov
Tel: +031 805 25 77
Fax: +031 805 27 19

<p>English</p> <p><u>EC DECLARATION OF CONFORMITY</u></p> <p>We declare under our sole responsibility that this product is in conformity with standards or standardized documents EN60745, EN55014 and EN61000 in accordance with Council Directives 2004/108/EC and 98/37/EC. This product also complies with the essential requirements of 2006/42/EC to be applied from 29 December 2009.</p> <p>This declaration is applicable to the product affixed CE marking.</p>	<p>Magyar</p> <p><u>EU MEGFELELŐSÉGI NYILATKOZAT</u></p> <p>Teljes felelősségünk tudatában kijelentjük, hogy ez a termék megfelel az EN60745, EN55014, és EN 61000 szabványoknak illetve szabványosított dokumentumoknak, az Európa Tanács 2004/108/EC, és 98/37/EC Tanácsi Direktívaival összhangban. A termék ezen kívül megfelel a 2006/42/EC követelményeinek, melyeket 2009. December 29.-étől kell alkalmazni.</p> <p>Jelen nyilatkozat a terméken feltüntetett CE jelzésre vonatkozik.</p>
<p>Deutsch</p> <p><u>ERKLÄRUNG ZUR KONFORMITÄT MIT CE-REGELN</u></p> <p>Wir erklären mit alleiniger Verantwortung, daß dieses Produkt den Standards oder standardisierten Dokumenten EN60745, EN55014 und EN61000 in Übereinstimmung mit den Direktiven des Europarats 2004/108/CE und 98/37/CE entspricht. Dieses Produkt hält auch die wesentlichen Anforderungen von 2006/42/CE ein, die ab 29. Dezember 2009 gelten werden.</p> <p>Diese Erklärung gilt für Produkte, die die CE-Markierung tragen.</p>	<p>Čeština</p> <p><u>PROHLÁŠENÍ O SHODĚ S CE</u></p> <p>Prohlašujeme na svoji zodpovědnost, že tento výrobek odpovídá normám EN60745, EN55014 a EN61000 v souladu se směrnicemi 2004/108/EC a 98/37/EC. Tento výrobek rovněž vyhovuje základním požadavkům 2006/42/EC platných od 29. prosince 2009.</p> <p>Toto prohlášení platí pro výrobek označený značkou CE.</p>
<p>Ελληνικά</p> <p><u>ΕΚ ΔΗΛΩΣΗ ΕΝΑΡΜΟΝΙΣΜΟΥ</u></p> <p>Δηλώνουμε με απόλυτη υπευθυνότητα ότι αυτό το προϊόν είναι εναρμονισμένο με τα πρότυπα ή τα έγγραφα προτύπων EN60745, EN55014 και EN61000 σε συμφωνία με τις Οδηγίες του Συμβουλίου 2004/108/EK και 98/37/EK. Αυτό το προϊόν είναι επίσης σύμφωνο με τις βασικές απαιτήσεις του 2006/42/EK που εφαρμόζονται από τις 29 Δεκεμβρίου 2009.</p> <p>Αυτή η δήλωση ισχύει στο προϊόν με το σημάδι CE.</p>	<p>Türkçe</p> <p><u>AB UYGUNLUK BEYANI</u></p> <p>Bu ürünün, 2004/108/EC ve 98/37/EC sayılı Konsey Direktiflerine uygun olarak, EN60745, EN55014 ve EN61000 sayılı standartlara ve standartlaştırılmış belgelere uygun olduğunu, tamamen kendi sorumluluğumuz altında beyan ederiz. Bu ürün, aynı zamanda 29 Aralık 2009 tarihinden itibaren uygulanacak olan 2006/42/EC No'lu Konsey Direktifinin temel şartlarına da uygundur.</p> <p>Bu beyan, üzerinde CE işareti bulunan ürünler için geçerlidir.</p>
<p>Polski</p> <p><u>DEKLARACJA ZGODNOŚCI Z EC</u></p> <p>Oznajmiamy z całkowitą odpowiedzialnością, że produkt ten pozostaje w zgodzie ze standardami lub standardową formą dokumentów EN60745, EN55014 i EN61000 w zgodzie z Zasadami Rady 2004/108/EC i 98/37/EC. Ten produkt spełnia także wymogi Dyrektywy 2006/42/EC, które wchodzi w życie z dniem 29 grudnia 2009 r.</p> <p>To oświadczenie odnosi się do załączonego produktu z oznaczeniami CE.</p>	<p>Русский</p> <p><u>ДЕКЛАРАЦИЯ СООТВЕТСТВИЯ ЕС</u></p> <p>Мы с полной ответственностью заявляем, что данное изделие соответствует стандартам или стандартизованным документам EN60745, EN55014 и EN61000 согласно Директивам Совета 2004/108/EC и 98/37/EC. Этот продукт соответствует главным требованиям 2006/42/EC от 29 декабря 2009 г.</p> <p>Данная декларация относится к изделиям, на которых имеется маркировка CE.</p>
<p>Representative office in Europe Hitachi Power Tools Europe GmbH Siemensring 34, 47877 Willich 1, F. R. Germany</p> <p>Head office in Japan Hitachi Koki Co., Ltd. Shinagawa Intercity Tower A, 15-1, Konan 2-chome, Minato-ku, Tokyo, Japan</p> <p style="text-align: center;">CE</p> <p style="text-align: right;">30. 4. 2009</p> <p style="text-align: right;"><i>K. Kato</i></p> <p style="text-align: right;">K. Kato Board Director</p>	

 **Hitachi Koki Co., Ltd.**

904

Code No. C99104393 F
Printed in China